

FOREWORD

-INTRODUCTION- To The Yamaha Parts Fiche

This parts fiche lists parts and sub-assemblies for the YFZ350P. When preparing a parts order, please refer to the most recently updated microfiche for this model.

THE YAMAHA PARTS FICHE

SYMBOLS

I	1	Inactive, no longer available
U.R.		Use size (thickness) and/or number as required
U.N.		Use as many as you need
T		Number of teeth in a gear
V		Voltage for light bulbs
S		"S" type oil seal or "S" type circlip
SD, SO, SW		"SD", "SO", or "SW" type oil seal
E, R		"E" or "R" type circlip
F/NO.		Frame No. (Applicable Machine No.)
L.M.		Locally made
O.L.		Obtain locally
AP		Alternate Part

SUPERSEDED PART NUMBERS

If part 'A' has been superseded by part 'B', the superseding part number "B" will appear in the part number listing with the superseded part number "A" appearing in parentheses immediately following the description.

EXAMPLE:

Ref. No.	Part No.	Description	Qty.
	{Pat-t 'B'}	(Part 'A')	
8	123-45678-00-00	CYLINDER (111-12345-00-00)	1

A part that has been superseded to a kit may be identified by a 99999-00000-00 part number appearing in the part number column. The old superseded part number will appear in parentheses immediately following the description. Listed directly below the 99999 part number will be those parts making up the kit. The description of the parts making up the kit will be preceded by a small black dot (.) and the description will be indented one letter space.

EXAMPLE:

Ref. No.	Part No.	Description	Qty.
8	99999-12345-00	CYLINDER (111-12345-00-00)	1
	234-56789-00-00	• HEAD, CYLINDER	1
	345-67890-00-00	.. GASKET, CYLINDER	1

SIZES

Except for steel balls (ball sizes are indicated in inches), all parts sizes are indicated in millimeters as in the following examples:

Hose {Rubber or Vinyl}	Inside Diameter - Length
O-Ring	Section Area - Inside Diameter
Washer, Shim, Collar	Inside Diameter - Outside Diameter Thickness (Length)

ASSEMBLIES AND COMPONENT PARTS

Assemblies and their component parts, are identified by an indentation of one letter space, and the description is preceded by a dot (.). If two main assemblies are listed, and have the same basic description (i.e.: left and right sides of the same assembly), one will immediately follow the other. If each of these main assemblies is made up of almost the same components, these component parts will be listed immediately under the second main assembly line and will be indicated, as noted above.

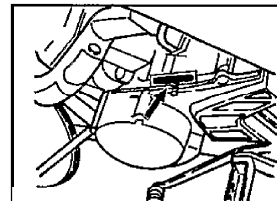
If the component is the same for both main assemblies, the quantity indicated will be the total required. If the component is not the same for both main assemblies, the quantity for each separate item will be listed separately.

EXAMPLE:

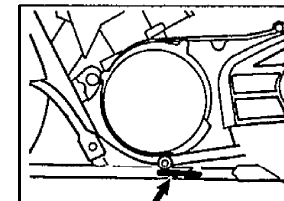
Description	Qty
CARBURETOR ASSY, LEFT	1
CARBURETOR ASSY, RIGHT	1
. JET, PILOT	2
. NOZZLE, MA1 N	2
. LEVER, STARTER, LEFT	1
. LEVER, STARTER, RIGHT	1

APPLICABLE SERIAL NO.

(1) Engine Serial No.



(2) Frame Serial No.

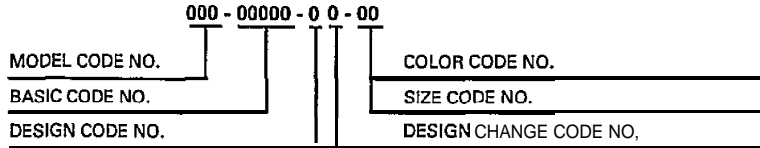


FOREWORD

THE YAMAHA PART NUMBER

The Yamaha part number consists of 12 digits. Each number represents a specific piece of information relating to a replacement part. The following is a guide for reading and interpreting the Yamaha part number.

BASIC PART NUMBER CONFIGURATION:



MODEL CODE NUMBER

FIRST THREE DIGITS . . . 000-00000-00-00

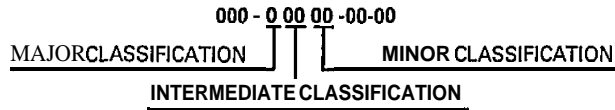
Every model in each Yamaha product line is assigned a model number to identify that particular model. All component parts are given the model code number relating to the model on which they were first used.

Example: 4DU-00000-00-00 identifies the XJ600SE.
3FA-00000-00-00 identifies the YFA1E.

BASIC CODE NUMBER

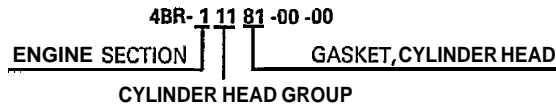
MIDDLE FIVE DIGITS . . . 000-00000-00-00

These "Middle Five Digits" indicate the type of part i.e., piston, rings, lower units, etc. The five digits are broken down as follows:



The "Major Classification" indicates the section to which the parts belong, i.e., engine, electrical etc. The "Intermediate" and "Minor Classifications" indicate more specific details.

Example:



DESIGN CODE NUMBER: 000-00000-00-00

The design code distinguishes like component parts from one another when specification differences are involved. For example, distinguishing a standard size piston ring from an oversized piston ring.

Example:

4BR-11610- 0 0-00 Standard Piston Ring Set for XJ600SE
4BR-11610- 2 0-00 Oversize Piston Ring Set for XJ600SE

DESIGN CHANGE CODE NUMBER: 000-00000-00-00

This code number is used to identify a difference between a new component part and old one when a new part is created by changing the old one.

Example: YFZ350E

2GU-11630-0 0-00 PISTON RING SET, STD. - ORIGINAL
2GU-11610-0 1-00 PISTON RING SET, STD. -FIRST DESIGN CHANGE

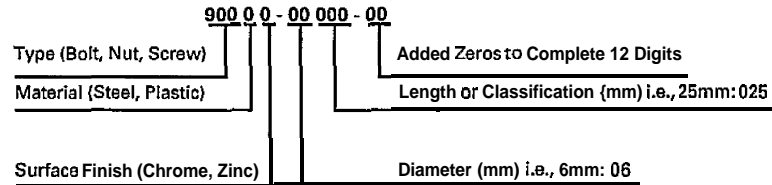
Only major changes to performance, durability, quality, appearance, cost or interchangeability will affect a part number change.

COLOR CODE & SIZE CODE NUMBER: 000-00000-00-00

When applicable, the last two digits of the part number identify:

1. Color Code: The painted color or type of plating or surface treatment used on certain parts.
2. Size Code: The last two digits are also used to show the size of parts (mm). Such as the thickness of shims or the size of pistons.

HARDWARE (Fastener) PART NUMBER CONFIGURATION:



TYPE:

A fastener part number always begins with the number "9" followed by either a 0, 1, 2, 3, 4, 5, 6, 7 or 8 designating one of eight major divisions within this group*

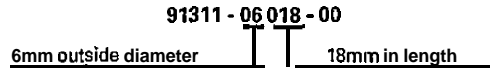
FOREWORD

Example:

- 9 0 000-00000-00 "0" designates various types.
- 9 1 000-00000-00 "1" designates belts, cotter pins, etc.
- 9 2 000-00000-00 "2" designates screw, nuts, etc.
- 9 3 000-00000-00 "3" designates oil seals, o-rings, bearings, etc.
- 9 4 000-00000-00 "4" designates spark plugs.
- 9 5 000-00000-00 "5" designates bolts and nuts.
- 9 7 000-00000-00 "7" designates ISO bolts,
- 9 8 000-00000-00 "8" designates ISO screws and nuts.

The only major divisions which the mechanic should become familiar with are those related to the general hardware (nuts, bolts, and washers), since these are the most commonly used and most often replaced items. By knowing how to interpret the part number, the dimensions of a piece of hardware can be determined. This can be very helpful during major engine repair, and general parts replacement,

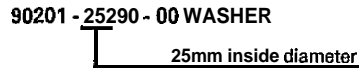
BOLT EXAMPLE:



EXCEPTON:

It is NOT possible to identify the LENGTH of bolts having a 901 prefix. Only the bolt diameter can be identified with this number.

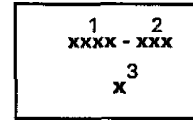
NUT AND WASHER EXAMPLE:



-MODEL LABEL-

A label called "Model Label" is affixed in the location as indicated in (3) below. When using this parts catalogue, please be sure to cross-reference the "model code - production code No." in the catalogue to the "model code - production code No." indicated on the Model Label affixed onto the product concerned.

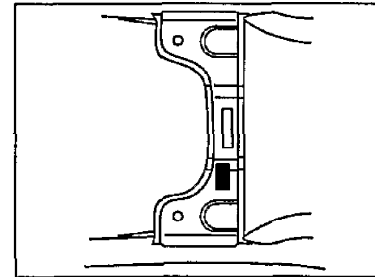
"MODEL LABEL" INDICATION



- 1 Model Type Code
- 2 Production Code No
- 3 Coloring Type



MODEL LABEL AFFIXING LOCATION



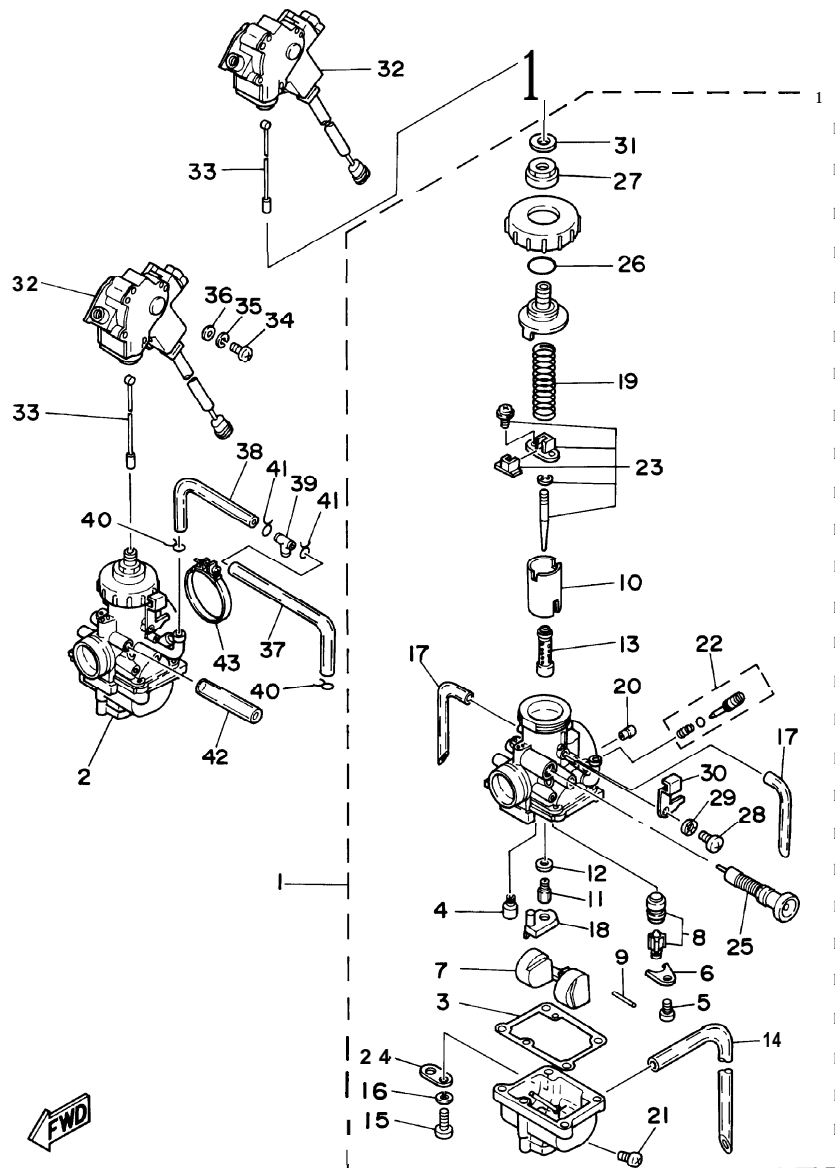
MODEL CODE - PRODUCTION CODE NUMBER OF MODEL LISTED IN THIS PARTS CATALOG

Model Code	Production Code No.	Country (destination)
5FKE	010	U49

Catalog Title:
2002 YFZ350P

Block No.
A-10

Block Title:
CARBURETOR



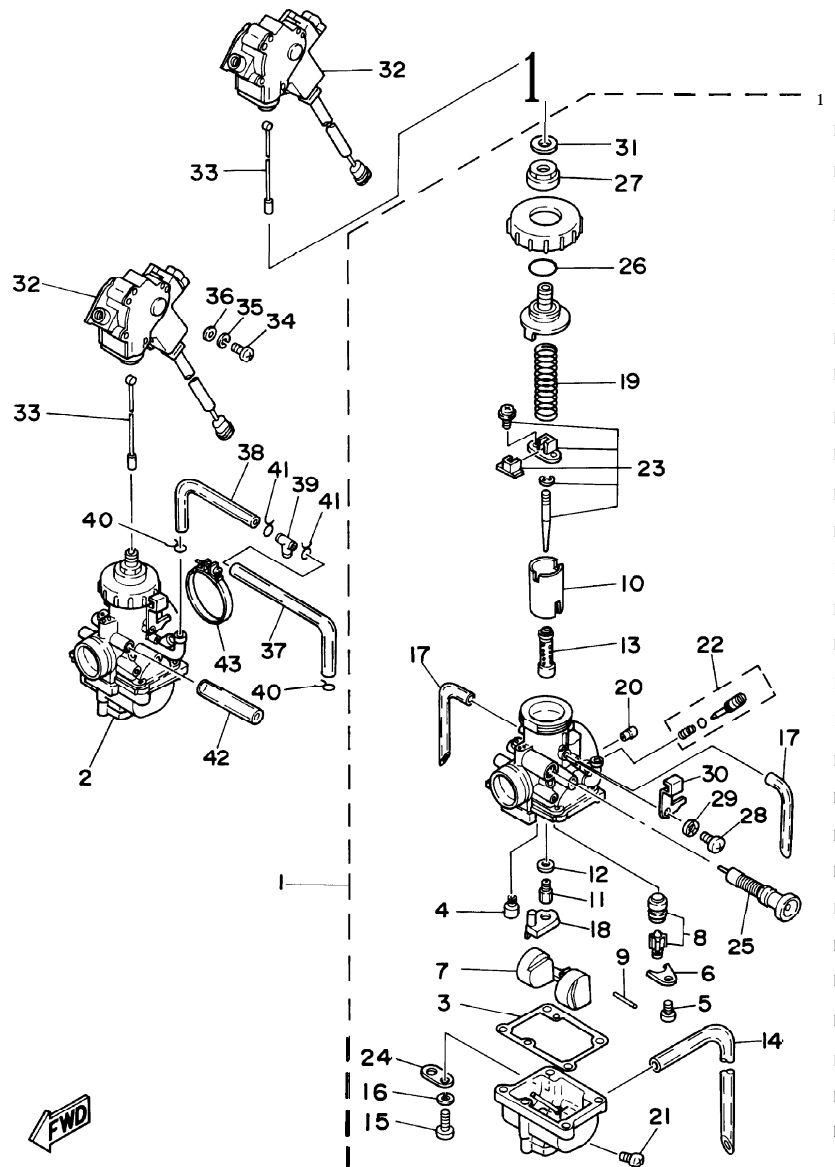
Ref. No.	Part No.	Description
1	2GU-14101-01-00	CARBURETOR ASSY 1
2	2GU-14102-01-00	CARBURETOR ASSY 2
3	304-1 4 184-00-00	» GASKET, FLOAT CHMBR
4	260-1 4 142-25-00	» JET,PILOT #25
5	98502-04008-00	» 98501-04008-00
6	2H0-14146-00-00	» PLATE
7	4L0-14185-00-00	» FLOAT
8	1 UA-14190-28-00	» NEEDLE VALVE ASSY
9	537-1 4 186-00-00	» PIN,FLOAT
10	2GU-14112-20-00	» VALVE, THROTTLE L/H
10	2GU-14113-20-00	» VALVE, THROTTLE R/H
11	137-1 4 143-38-00	» 137-1 4143-38-A0
11	137-1 4 143-40-00	» 137-1 4143-40-A0
11	137-1 4 143-44-00	» 137-1 4143-44-A0
11	137-1 4 143-48-00	» 137-1 4143-48-A1
12	137-1 4 153-00-00	» WASHER,MAIN JET
13	4L0-14141-38-00	» NOZZLE, MAIN
14	2GU-14196-00-00	» 90445-08046-00
15	9851 1-0401 6-00	» 98517-04016-00
16	92990-04100-00	» WASHER, SPRING
17	4L0-14197-00-00	» PIPE,AIRVENT
18	2GU-14153-00-00	» RING
19	2GU-14131-00-00	» SPRING, THROTTLE VALV
20	239-1 4172-1 6-00	» PILOT JET,AIR #1.6
21	12R-14191-00-00	» PLUG,DRAIN



Catalog Title:
2002 YFZ350P

Block No.
A-10

Block Title:
CARBURETOR



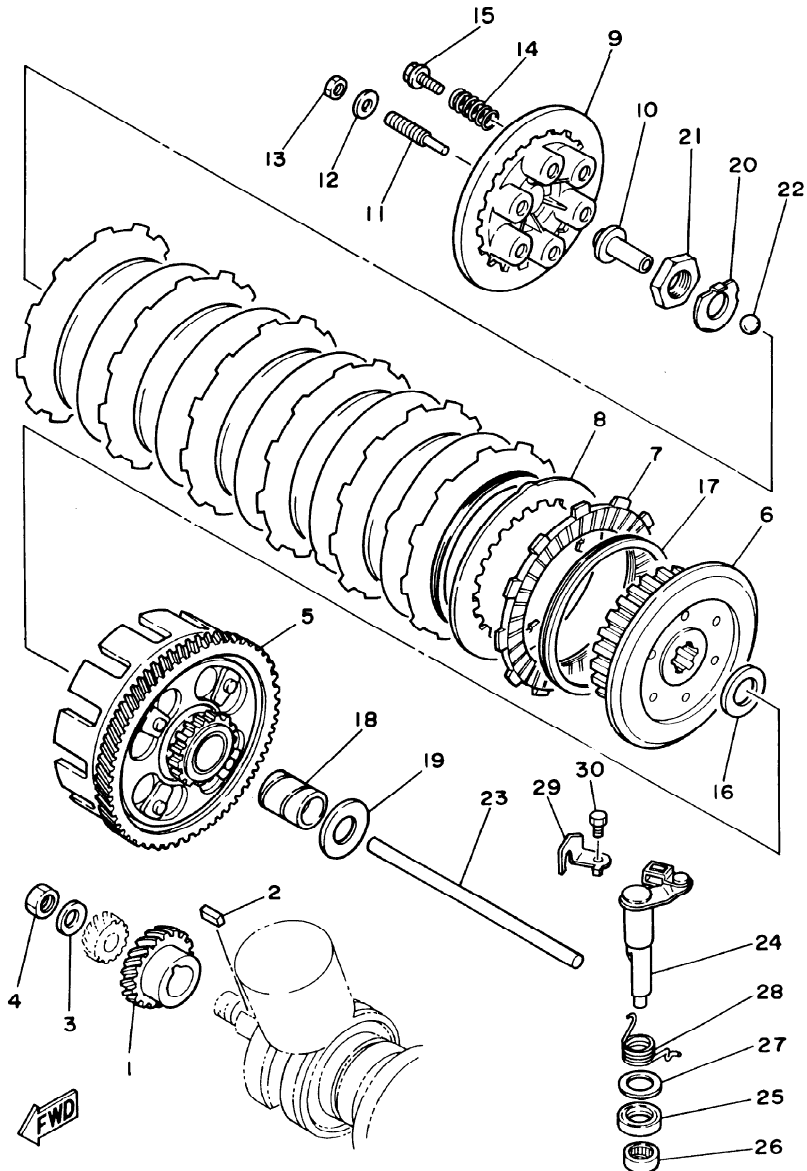
Ref. No.	Part No.	Description
22	1 ow-14104-00-00	» AIR SCREW SET
23	2GU-1490J-00-00	» NEEDLE SET
24	500-I 4 146-00-00	» PLATE
25	2GU-14171-00-00	» PLUNGER, STARTER
26	558-1 4 147-00-00	» O-RING
27	2GU-14161-00-00	» NUT, CABLE ADJUST.
28	98501-05008-00	» 98580-05008-00
29	92901-05100-00	» 92903-05100-00
30	2GU-14146-00-00	» PLATE, RIGHT
30	2GU-14243-00-00	» PLATE, (LEFT)
31	2GU-14952-00-00	» 256-1 4954-00-00
32	3GG-8259E-00-00	SWI TCH ASSY
33	2GU-2633K-00-00	WIRE, INNER 1
34	98507-0301 0-00	SCREW,PANHEAD(3HHJ
35	92907-03100-00	92990-03100-00
36	92907-03600-00	WASHER(3SX)
37	4X7-2431 1-00-00	29L-24311-00-00
38	48H-24311-00-00	PIPE,FUEL 1
39	90413-08009-00	WAY, 3
40	90467-I 0008-00	CLIP,SCISSOR
41	90467-1 1106-00	CLIP
42	90445-09012-00	90445-09078-00
43	90460-49058-00	CLAMP, HOSE



Catalog Title:
2002 YFZ350P

Block No.
B-4

Block Title:
CLUTCH



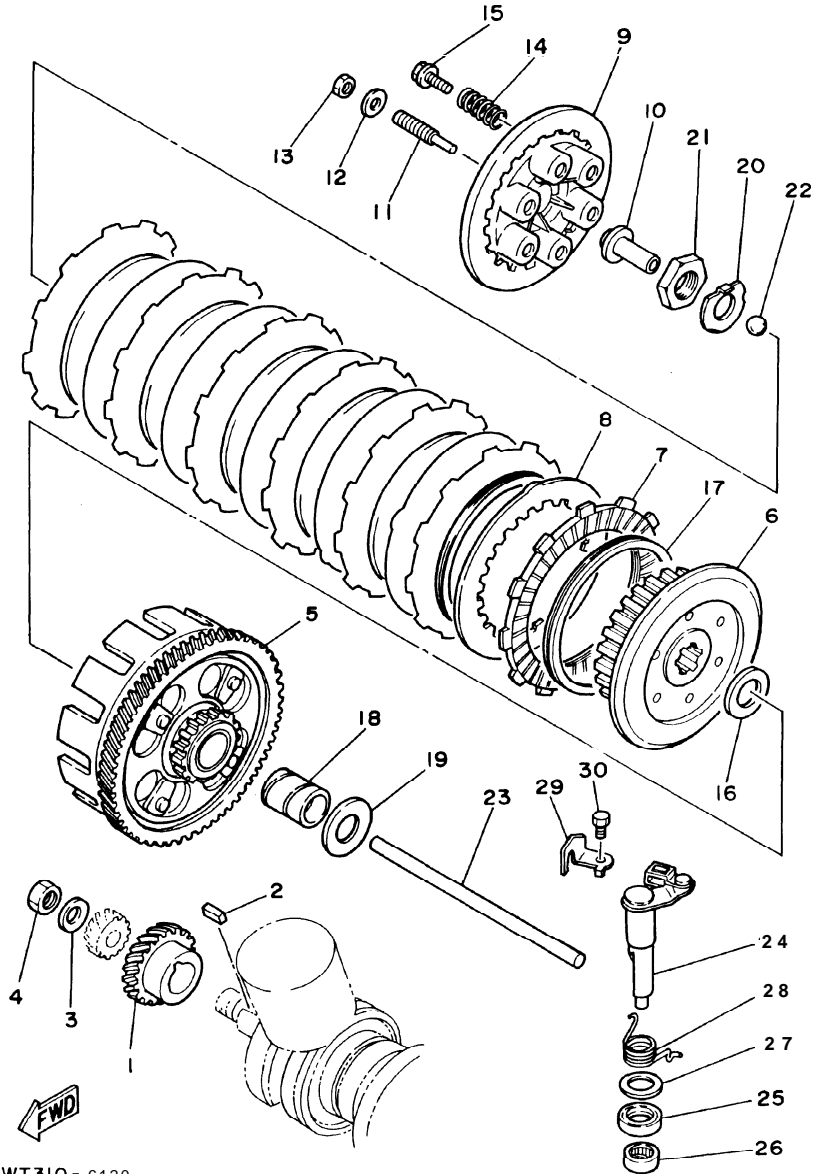
Ref. No.	Part No.	Description
1	4L0-1611 1-00-00	GEAR,PRI DRIVE
2	90282-07023-00	KEY,STRAIGHT
3	90208-1 6019-00	WASHER,CONICAL SPR
4	90170-1 642500	NUT
5	31 K-1 6150-1 0-00	PRI DRVN GEAR
6	1 AO-16371-00-00	BOSS,CLUTCH
7	5Y1-16331-01-00	PLATE, FRICTION
8	498-1 6325-00-00	PLATE,CLUTCH 2
9	29L-16351-00-00	PLATE,PRESSURE 1
10	29L-16356-00-00	ROD,PUSH 1
11	90149-08143-00	SCREW,SPEC'L SHAPE
12	92907-08200-00	WASHER(6TC)
13	95317-08700-00	NUT,HEX SMALL
14	90501-23138-00	SPRING,COMPRESSION
15	90159-06016-00	SCREW,WITH WASHER
16	360-1 6 154-00-00	PLATE,THRUST 1
17	278-1 6367-00-00	RING,CUSHION
18	278-1 6181-01-00	SPACER 1
19	360-1 6 154-00-00	PLATE,THRUST 1
20	90215-20223-00	WASHER,LOCK
21	90170-20320-00	NUT,HEXAGON
22	93515-32029-00	BALL 15/32
23	29L-16357-00-00	ROD,PUSH 2
24	29L-16380-00-00	PUSH LEVER ASY
25	93102-1 7004-00	OIL SEAL,SD-TYPE

Catalog Title:
2002 YFZ350P

Block No.
B-4

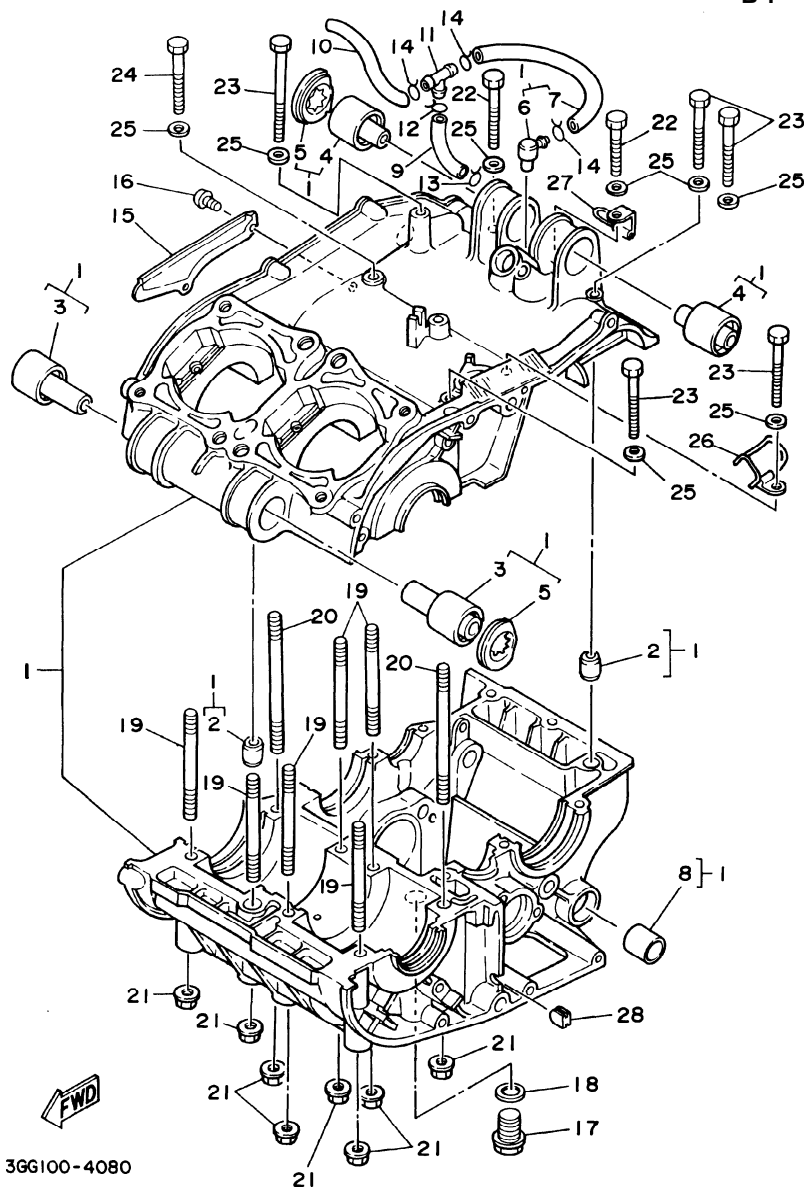
Block Title:
CLUTCH

Ref. No.	Part No.	Description
26	93315-11720-00	BEARING,CYL.#15
27	90201-17327-00	90201-18262-00
28	90508-1 6599-00	SPRING,TORSION
29	90465-1 6239-00	CLAMP
30	97007-0601 0-00	97017-06010-00



Catalog Title:
2002 YFZ350P

Block No.
B-1



3GG100-4080

Block Title:
CRANKCASE

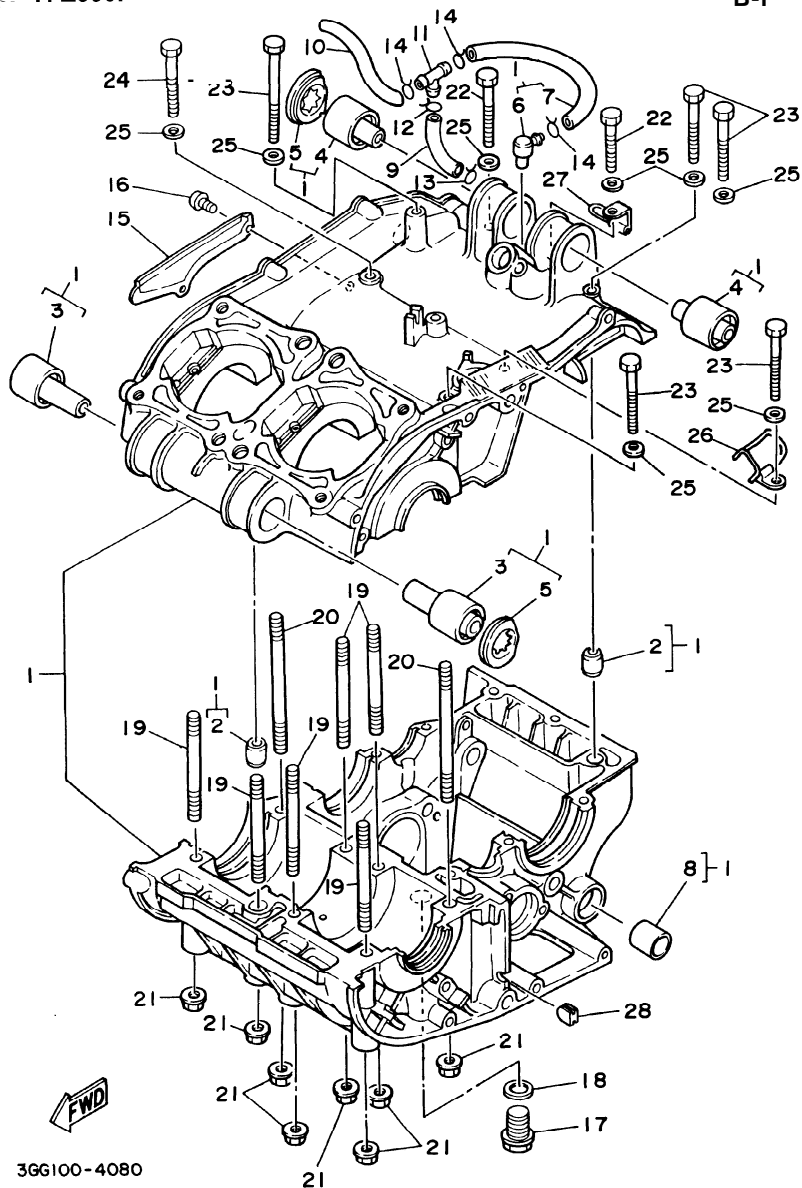
Ref. No.	Part No.	Description
2	2GU-15100-01-00	CRANKCASE ASSY
3	99510-12016-00	» PIN,DOWEL
4	2GU-15316-00-00	» DAMPER,ENG.MNT.1
5	2GU-15326-00-00	» DAMPER,ENG.MNT.2
6	2GU-15328-00-00	» SPACER, DAMPER
6	120-15371-00-00	» 498-15371-00-00
8	90445-09109-00	» 90445-09M25-00
8	90383-12022-00	» BUSH,FORMED
9	90445-081 F I-00	HOSE
10	90445-09123-00	90445-097F7-00
11	90413-05014-00	WAY,3
12	90467-08021-00	CLIP,SCISSOR
13	90467-07093-00	CLIP,SCISSOR
14	90467-08075-00	90467-07093-00
15	278-15492-01-00	COVER
16	98507-05010-00	98517-05010-00
17	90340-14132-00	PLUG,STRAIGHT SCRWB
18	90430-14043-00	GASKET
19	90116-08064-00	BOLT,STUD
20	90116-08232-00	BOLT,STUD
21	95707-08500-00	90179-08491-00
22	97017-06045-00	BOLT
23	97017-06060-00	BOLT
24	97017-06090-00	BOLT
25	92907-06200-00	WASHER (6TA)

Catalog Title:
2002 YFZ350P

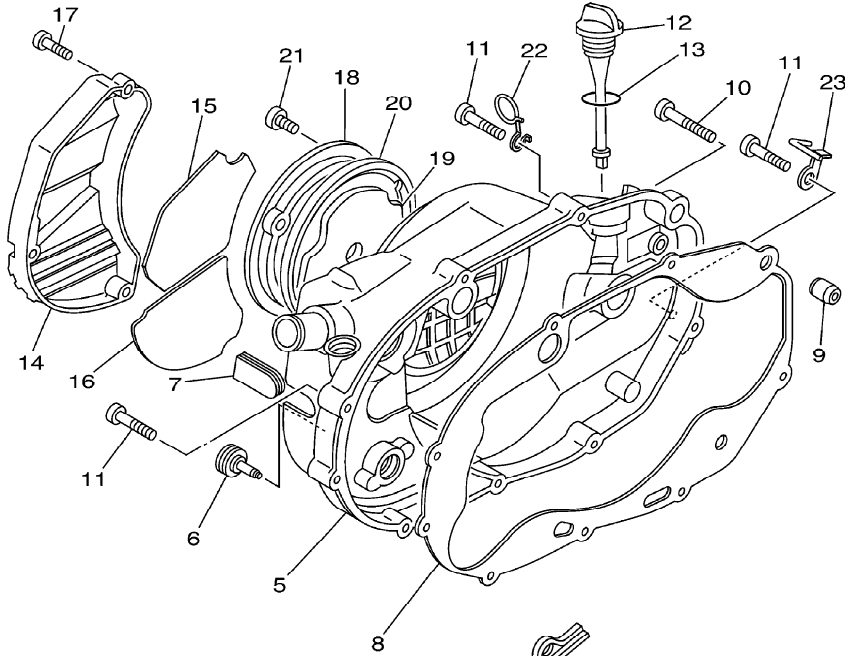
Block No.
B-1

Block Title:
CRANKCASE

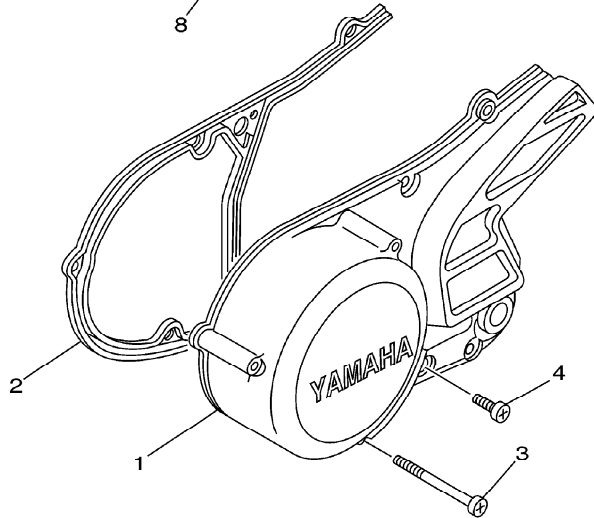
Ref. No.	Part No.	Description
26	90462-1 6130-00	CLAMP
27	90465-06094-00	CLAMP
28	90338-06190-00	PLUG, SPEC'L SHAPE

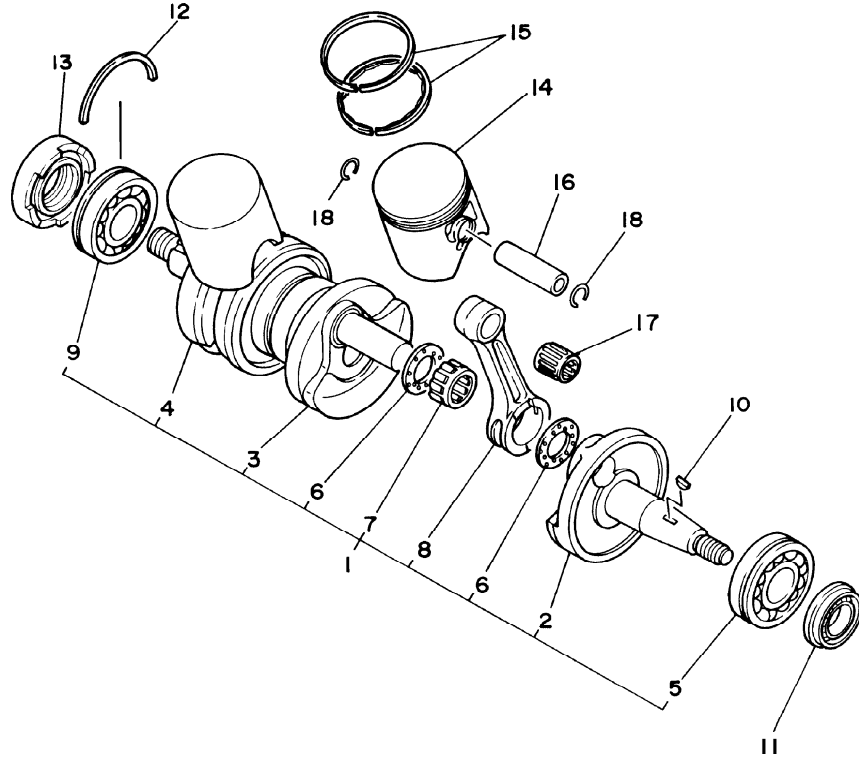


3GG100-4080



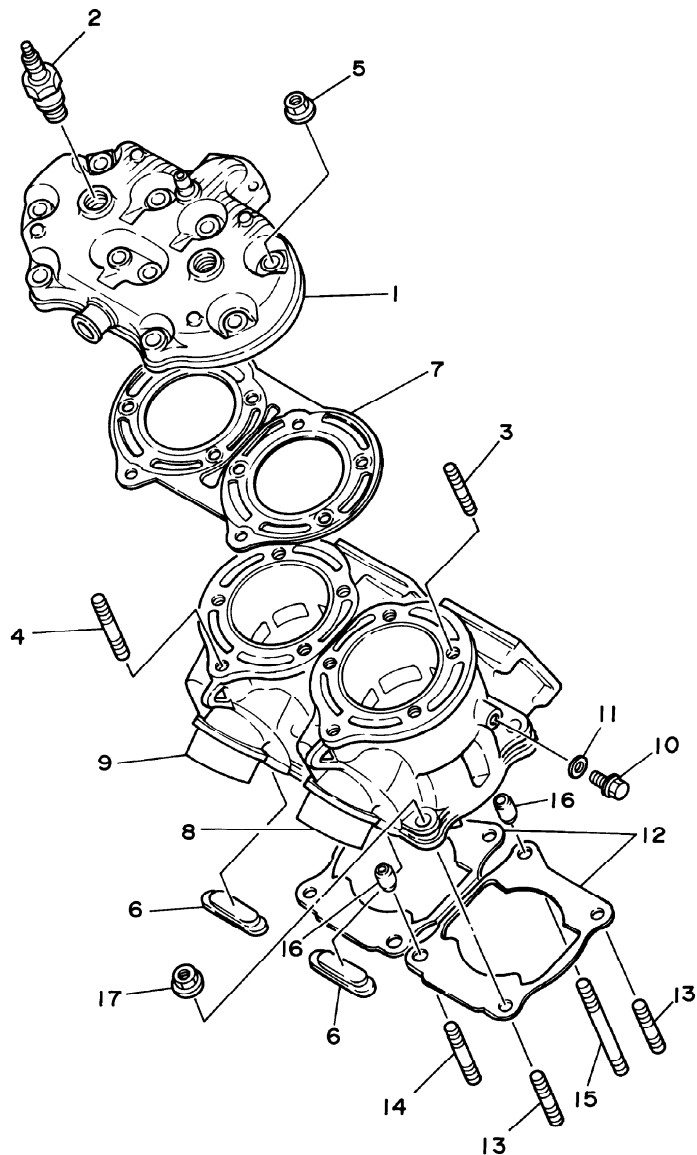
Ref. No.	Part No.	Description
1	2GU-1541 I-00-00	COVER,CRANKCASE (L)
2	2GU-15379-00-00	SEAL,CRANKCASE
3	98507-06055-00	SCREW,PAN HEAD
4	98507-06020-00	98517-06020-00
5	2GU-15421-00-00	COVER,CRANKCASE (R)
6	2GU-15189-00-00	PLUG
7	90338-I 5189-00	PLUG,SPEC'L SHAPE
8	3GG-15461-02-00	GASKET, CRANKCASE CO
9	99530-I 2016-00	9951 O-I 2016-00
10	98507-06040-00	SCREW,PAN
11	98507-06030-00	98517-06030-00
12	4L0-15362-00-00	PLUG,OIL LEVEL
13	9321 O-I 9123-00	O-RING
14	2GU-15416-00-00	COVER,OIL PUMP
15	2GU-15337-00-00	COLLAR
16	2GU-15338-00-00	DAMPER,ENG. MOUNT 5
17	98507-06020-00	98517-06020-00
18	4L0-15431-01-00	COVER,CRANKCASE 3
19	31 K-I 5317-00-00	SPACER,ENG MOUNT
20	48H-15327-00-00	SPACER,ENG MOUNT
21	98507-05014-00	SCREW, PAN
22	90465-32317-00	CLAMP(2GU)
23	5FK-15377-00-00	GUIDE, INLET





Ref. No.	Part No.	Description
1	29L-11400-30-00	CRANKSHAFT ASSY
2	29L-11412-00-00	» CRANK 1
3	29L-11409-30-00	» CRANK SUB ASSY
4	29L-11442-10-00	» CRANK 4
5	93306-30548-00	» 93306-30559-00
6	90209-22292-00	» 90209-22257-00
7	93310-522L4-00	» 9331 0-523D2-00
8	29L-11651-00-00	» ROD,CONNECTING
9	93306-30549-00	» BEARING
10	90280-05033-00	KEY,WOODRUFF
11	93103-25108-00	OIL SEAL,SW-TYPE
12	278-I 7424-01-00	CIRCLIP 1
13	93103-40077-00	OIL SEAL,SW-TYPE
14	2GU-11631-00-94	PISTON STD
14	2GU-11635-00-00	PISTON 1 O/S 0.25
14	2GU-11636-00-00	PISTON 2 O/S 0.50
15	2GU-11610-01-00	PISTON RING STD
15	2GU-1161 0-I 1-00	PISTON RING 1ST O/S
15	2GU-11610-21-00	PISTON RING 2ND O/S
16	4L0-11633-00-00	PIN,PISTON
17	9331 0-316H6-00	9331 0-316D6-00
18	93450-I 7129-00	CIRCLIP,INNER





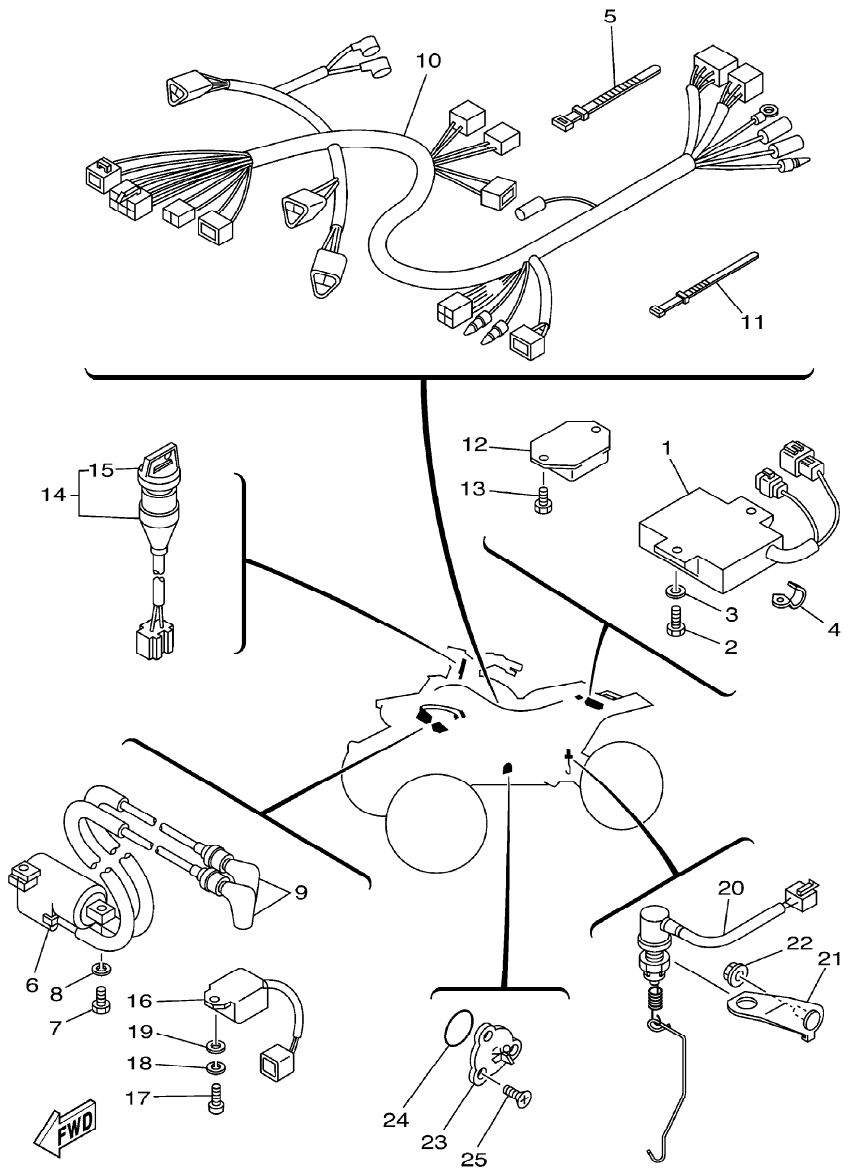
Ref. No.	Part No.	Description
1	2GU-11111-00-00	HEAD,CYLINDER 1
2	NGK-BR8ES-00-00	NGK BR8ES 1 OPK
3	90116-08394-00	BOLT, STUD
4	95917-08640-00	BOLT, STUD (3GG)
5	90179-08299-00	90179-08491-00
6	47x-1 1355-00-00	SEAL,CYLINDER 1
7	2GU-11181-00-00	GASKET, CYL HEAD 1
8	2GU-11311-00-00	CYLINDER 1
9	2GU-11321-00-00	CYLINDER 2
10	95827-0601 0-00	95817-0601 0-00
11	90430-06166-00	GASKET
12	3GG-11351-01-00	GASKET, CYLINDER
13	90116-08318-00	90116-08394-00
14	90116-08388-00	90116-08392-00
15	90116-08064-00	BOLT- STUD
16	99530-I 0114-00	9951 0-1 0114-00
17	90179-08299-00	90179-08491-00



Catalog Title:
2002 YFZ350P

Block No.
E-3

Block Title:
ELECTRICAL 1



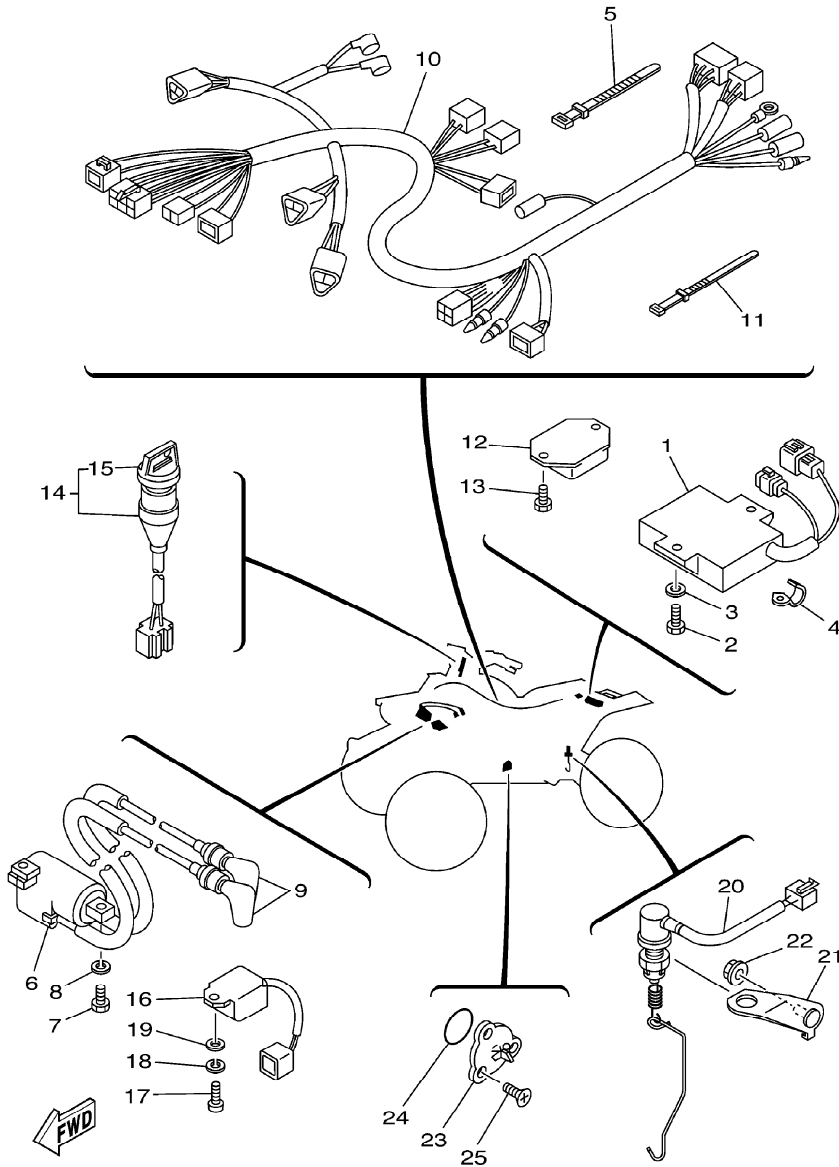
Ref. No.	Part No.	Description
1	3GG-85540-10-00	CDI UNIT ASSY
2	97007-06016-00	97017-060 16-00
3	92907-06600-00	WASHER, PLATE (6TA)
4	90462-08078-00	90465-06376-00
5	437-83936-01-00	BAND, SWITCH CORD
6	2GU-82310-51-00	3XC-82310-01-00
7	97007-06020-00	BOLT (4MY)
8	92907-06100-00	WASHER, SPRING
9	1 M I-82370-30-00	4PE-82370-10-00
10	5FK-82590-00-00	WI RE HARNESS ASSY
11	437-83936-1 1-00	BAND, SWITCH CORD
12	82F-81910-A0-00	VOLTAGE REG ASY
12	898-8191 0-1 2-00	8H4-81910-50-00
13	90109-06557-00	97017-060 12-00
14	5FK-82510-00-00	MAIN SWITCH ASSY
15	3HN-82579-00-00	» CAP, KEY
16	3GG-85590-00-00	CONTROL UNIT ASSY
17	98507-06020-00	98517-06020-00
18	92907-06100-00	WASHER, SPRING
19	92907-06600-00	WASHER, PLATE (6TA)
20	5FK-82530-00-00	STOP SWITCH ASSY
21	5FK-2144G-00-00	STAY, STOP SWITCH
22	95607-06200-00	NUT, SELF-LOCKING
23	278-82540-01-00	1L9-82540-00-00
24	9321 0-291 47-00	9321 0-291 96-00

Catalog Title:
2002 YFZ350P

Block No.
E-3

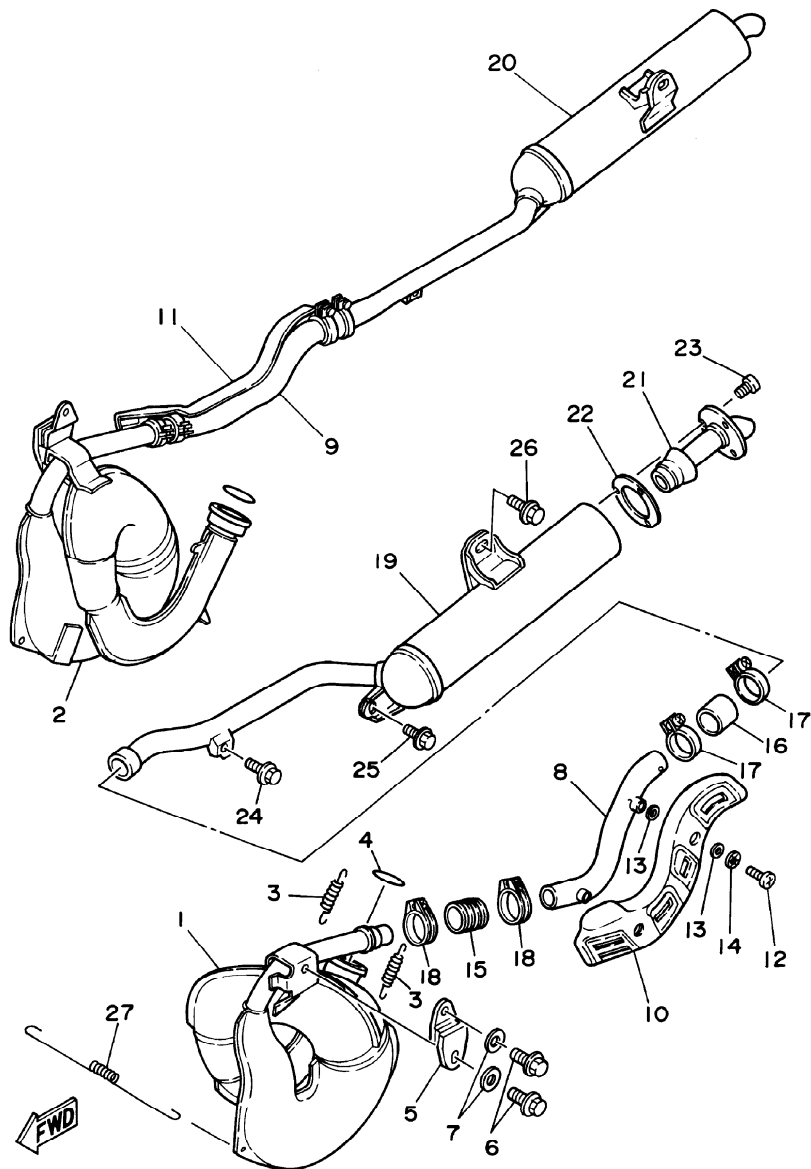
Block Title:
ELECTRICAL 1

Ref. No.	Part No.	Description
25	98707-05012-00	SCREW,FLAT
26	90890-56001-00	ATV KEY BLANK (A-TYP
27	90890-56002-00	ATV KEY BLANK (B-TYP



Catalog Title:
2002 YFZ350P

Block No.
A-1 2



Block Title:
EXHAUST

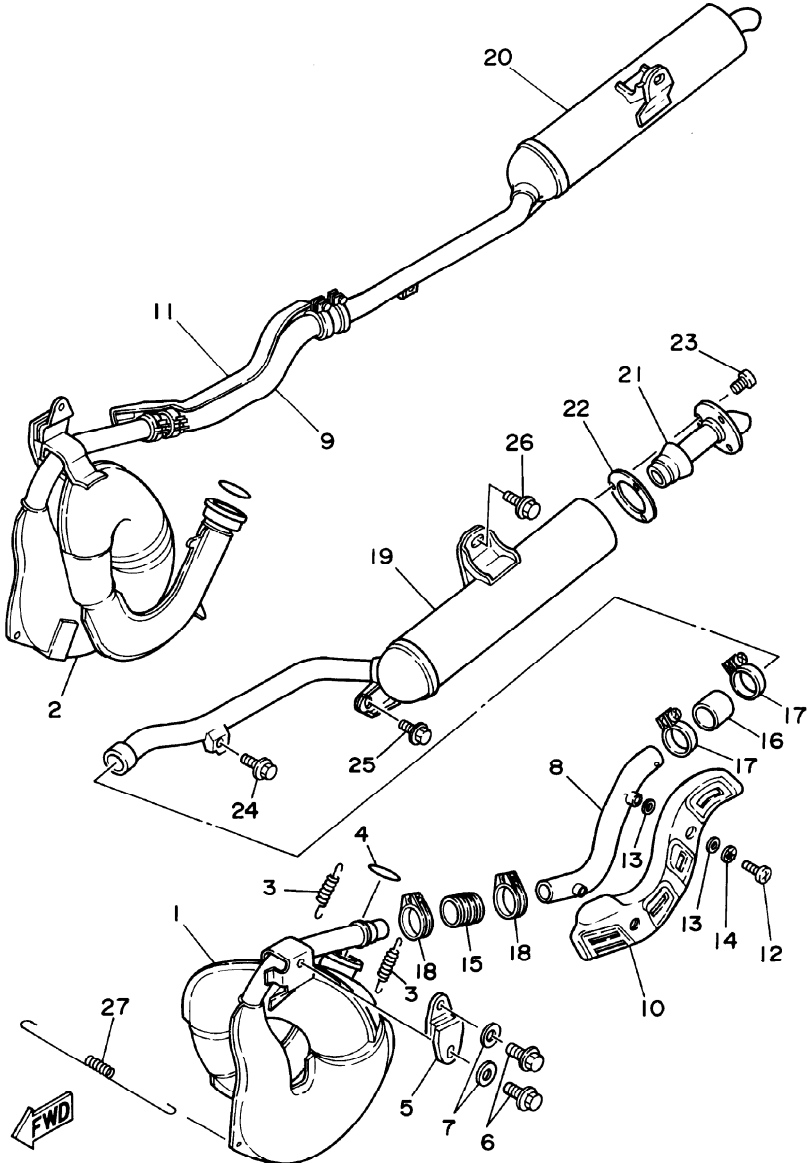
Ref. No.	Part No.	Description
1	2GU-14610-00-00	EXHAUST PIPE ASSY (L)
2	2GU-14620-00-00	EXHAUST PIPE ASY R
3	90507-20030-00	SPRING,TENSION
4	9321 0-45742-00	O-RING
5	2GU-14771-00-00	STAY,MUFFLER 1
6	95817-08014-00	BOLT,FLANGE
7	90201-08326-00	WASHER,PLATE
8	2GU-14635-00-00	JOINT,EXHAUST 3
9	2GU-14645-00-00	JOINT,EXHAUST 4
10	2GU-14718-00-00	PROTECTOR,MUFF 1
11	2GU-14728-00-00	PROTECTOR,MUFF 2
12	98907-0601 0-00	SCREW, BINDING
13	4BD-14766-00-00	WASHER,PROTECTOR
14	90206-06090-00	WASHER, WAVE
15	1W2-14714-00-00	GASKET,MUFFLER
16	2GU-14615-00-00	JOINT, EXHAUST 1
17	90460-37130-00	90460-37130-00
18	90460-37026-00	90460-37130-00
19	2GU-14753-01-00	SILENCER,EXHAUST
20	2GU-14765-01-00	SILENCER
21	2GU-14752-00-00	PIPE,OUTLET
22	2GU-14613-10-00	GASKET,EXST PIPE
23	98907-0601 0-00	SCREW, BINDING
24	95817-08014-00	BOLT,FLANGE
25	95817-08014-00	BOLT-FLANGE

Catalog Title:
2002 YFZ350P

Block No.
A-1 2

Block Title:
EXHAUST

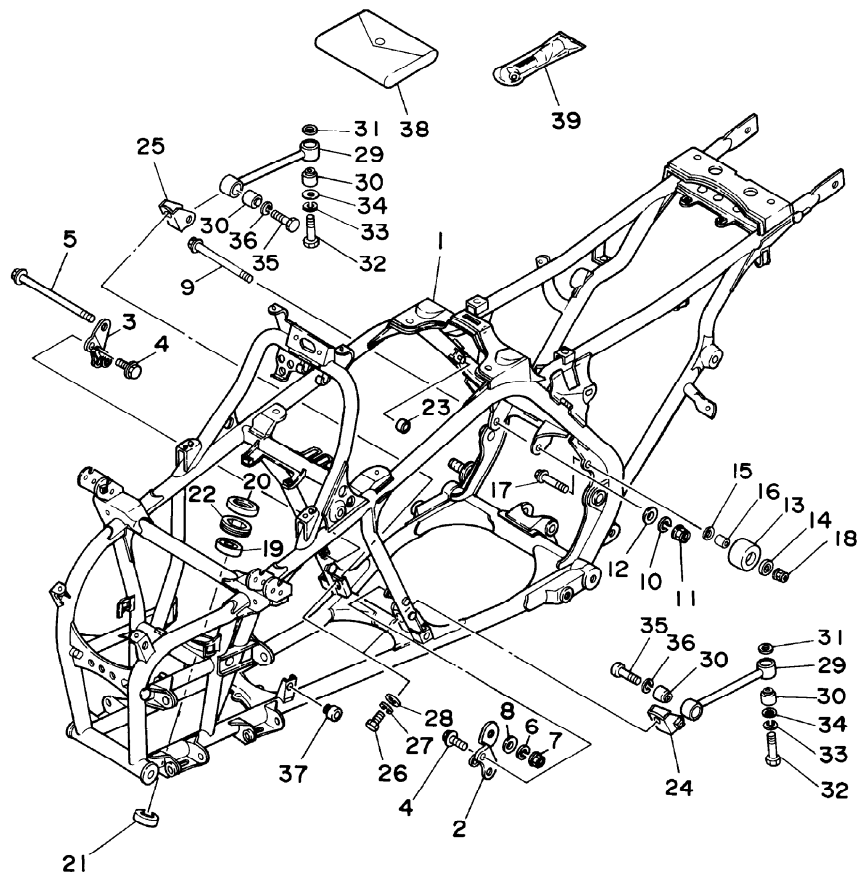
Ref. No.	Part No.	Description
26	95817-08014-00	BOLT, FLANGE
27	90506-1 8398-00	SPRING, TENSION



Catalog Title:
2002 YFZ350P

Block No.
B-10

Block Title:
FRAME



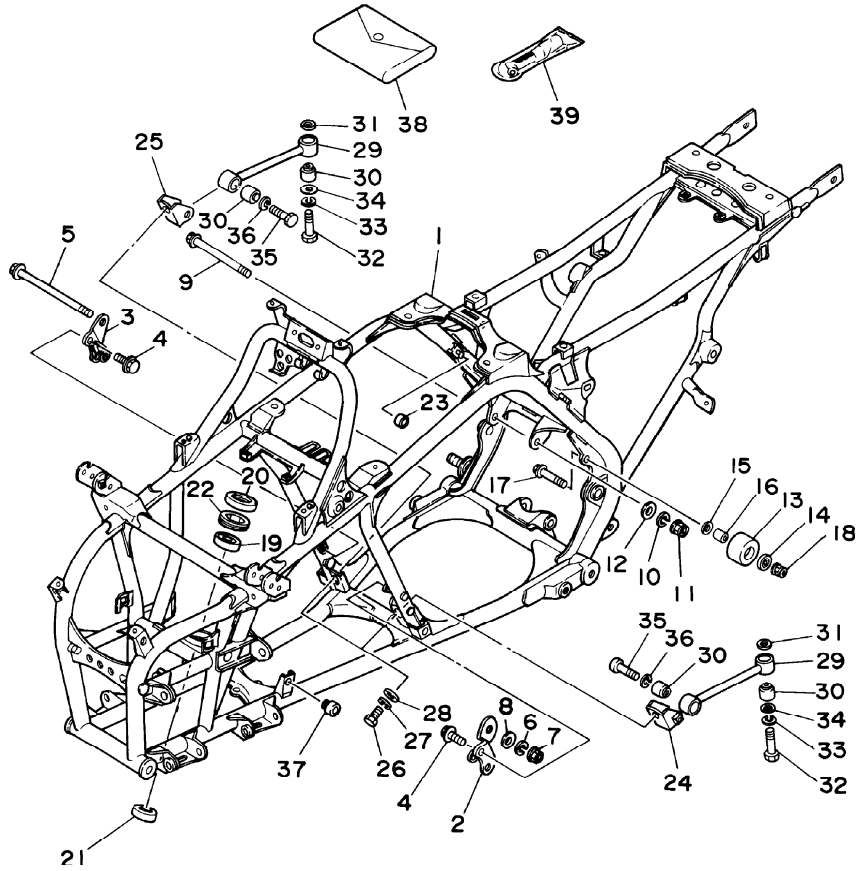
Ref. No.	Part No.	Description
1	3GG-21110-21-35	FRAME (SL)
2	2GU-21315-00-00	STAY,ENGINE 2
3	2GU-21316-00-00	STAY,ENGINE 3
4	95817-08025-00	BOLT,FLANGE(4LN)
5	90105-1 0444-00	90105-1 0117-00
6	92907-1 0100-00	WASHER(6TA)
7	95317-1 0600-00	95337-1 0600-00
8	92990-1 0600-00	WASHER
9	90105-1 0328-00	90105-1 0712-00
10	92907-1 0100-00	WASHER(6TA)
11	95317-1 0600-00	95337-1 0600-00
12	92990-1 0600-00	WASHER
13	2HH-22178-00-00	TENSIONER
14	93300-60804-00	BEARING
15	90201-086P8-00	WASHER, PLATE
16	90387-086N4-00	COLLAR
17	95027-08045-00	BOLT, SMALL FLANGE
18	95607-08200-00	95617-08200-00
19	93306-20331-00	93306-20348-00
20	93102-25081-00	OIL SEAL, SD-TYPE
21	93102-25099-00	OIL SEAL, SD-TYPE
22	2GU-23872-00-00	5GT-23872-00-00
23	90480-1 2299-00	GROMMET
24	2GU-21317-00-00	STAY, ENGINE 4
25	2GU-21318-00-00	STAY-ENGINE 5



Catalog Title:
2002 YFZ350P

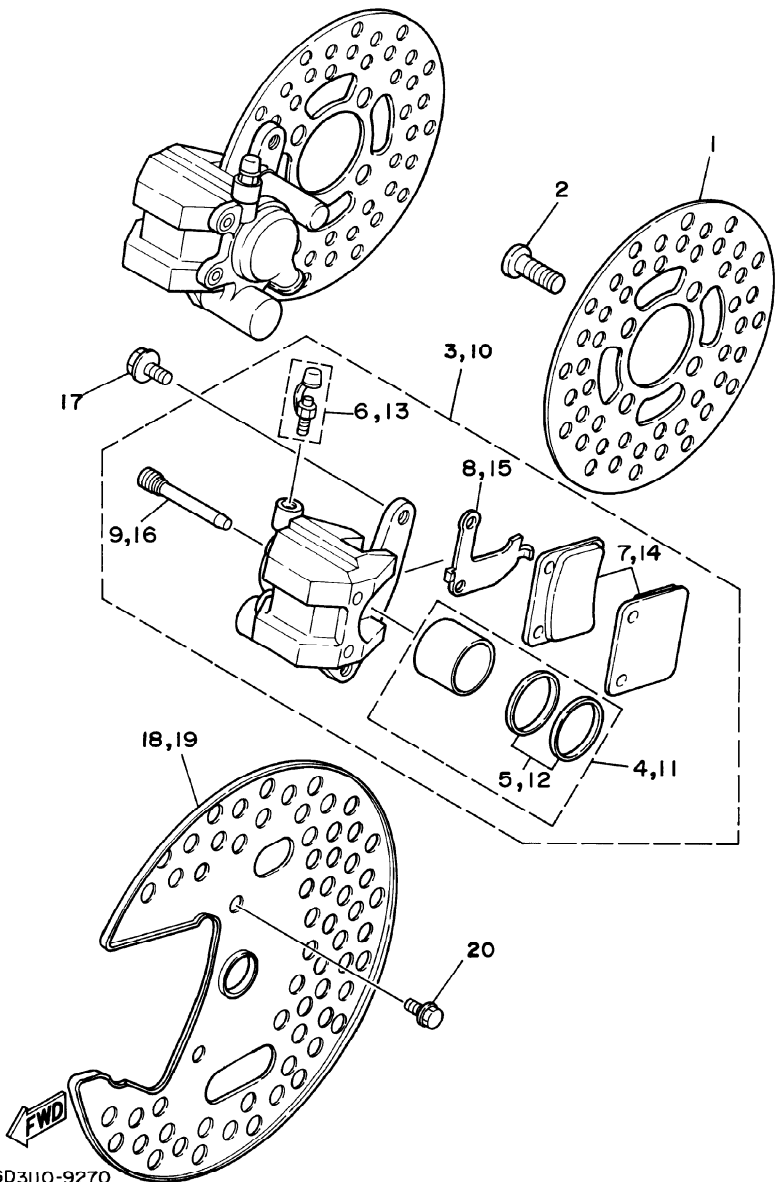
Block No.
B-10

Block Title:
FRAME

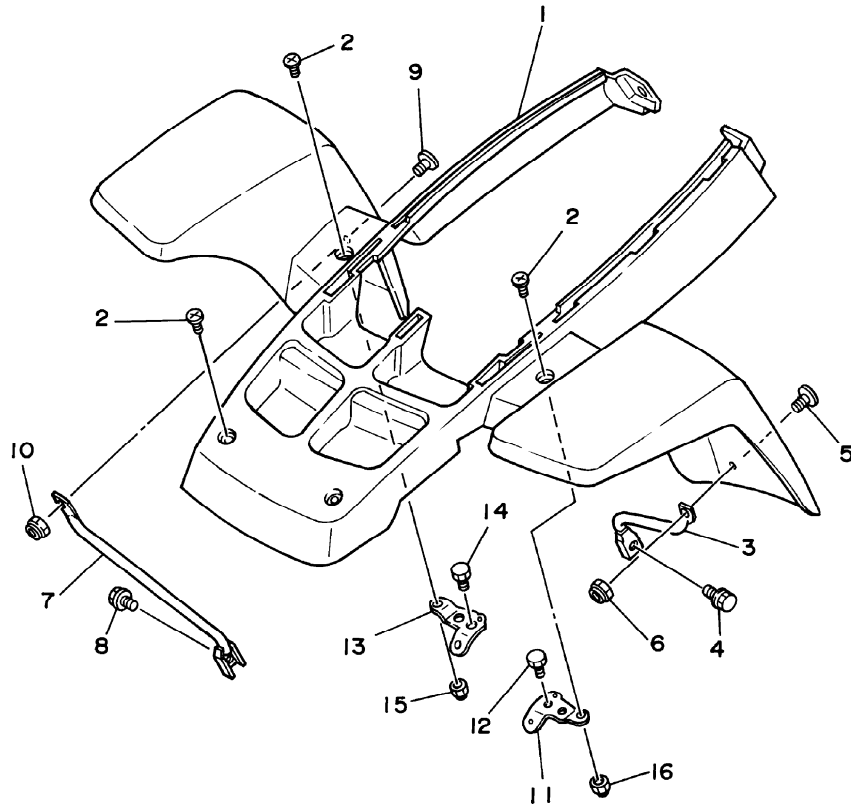


Ref. No.	Part No.	Description
26	97027-1 0020-00	97017-1 0020-00
27	92907-1 0100-00	WASHER(6TA)
28	92907-1 0600-00	WASHER (6TA)
29	2GU-21314-00-00	STAY,ENGINE 1
30	4L0-21485-00-00	DAMPER,RUBBER 1
31	92907-1 0600-00	WASHER (6TA)
32	97027-1 0045-00	9701 I-I 0045-00
33	92907-1 0100-00	WASHER(6TA)
34	92907-1 0600-00	WASHER (6TA)
35	97027-1 0040-00	97017-1 0040-00
36	92907-1 0100-00	WASHER(6TA)
37	4N0-27114-00-00	STOPPER,MAIN STAND
38	2GU-28100-10-00	TOOL KIT
39	1 NV-281 IA-01-00	GAUGE,AIR



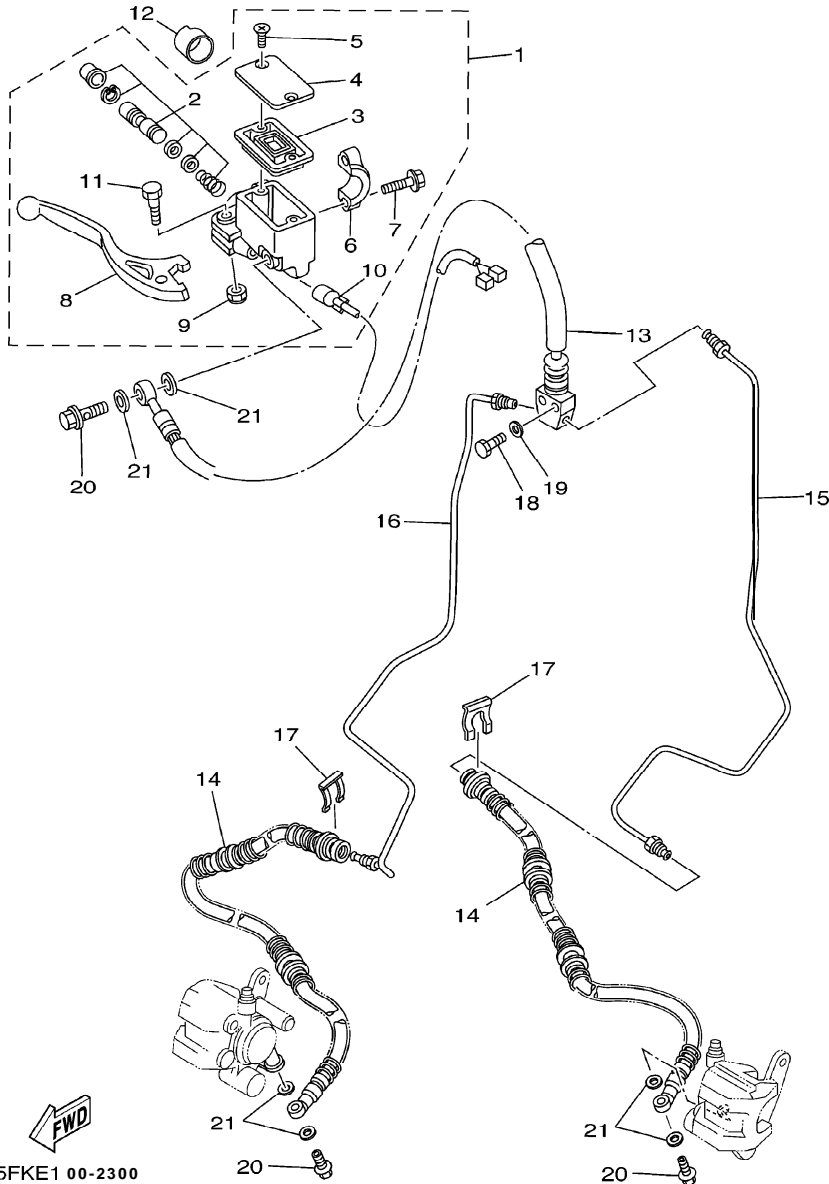


Ref. No.	Part No.	Description
	3GD-2582T-00-00	DISC, BRAKE
2	90149-08268-00	SCREW, SPEC'L SHAPE
3	5LP-2580T-00-00	CALIPER ASSY (LEFT)
4	3GD-W0057-00-00	» PISTON ASSY, CALIPER
5	3GD-W0047-00-00	» CALIPER SEAL KIT
6	1UY-W0048-50-00	» 36Y-W0048-00-00
	5LP-W0045-00-00	» BRAKE PAD KIT
8	3GD-25827-00-00	» SHIM, CALIPER
9	3GD-25933-00-00	» PIN, PAD
10	5LP-2580U-00-00	CALIPER ASSY (RIGHT)
11	3GD-W0057-00-00	» PISTON ASSY, CALIPER
12	3GD-W0047-00-00	» CALIPER SEAL KIT
13	1UY-W0048-50-00	» 36Y-W0048-00-00
14	5LP-W0045-00-00	» BRAKE PAD KIT
15	3GD-25828-00-00	» SHIM, CALIPER
16	3GD-25933-00-00	» PIN, PAD
17	90105-08538-00	95817-08014-00
18	3GD-2514A-10-00	RING, WHEEL 1
19	3GD-2515A-10-00	RING, WHEEL 2
20	95807-0601 0-00	95817-0601 0-00



Ref. No.	Part No.	Description
1	2GU-W2151-71-00	FRONT FENDER COMP.
1	2GU-W2151-B1-00	FENDER, FRONT COMP.
2	90149-06306-00	SCREW (3JM)
3	2GU-21513-00-00	STAY, FENDER 1
4	95827-0601 0-00	95817-0601 0-00
5	90149-06306-00	SCREW (3JM)
6	95607-06100-00	95617-06100-00
7	2GU-21514-00-00	STAY, FENDER 2
8	95827-0601 0-00	95817-0601 0-00
9	90149-06306-00	SCREW (3JM)
10	95607-06100-00	95617-06100-00
11	2GU-21587-00-00	STAY 1
12	97027-08016-00	97017-08016-00
13	2GU-21588-00-00	STAY 2
14	97027-08016-00	97017-08016-00
15	95607-06100-00	95617-06100-00
16	95607-06100-00	95617-06100-00



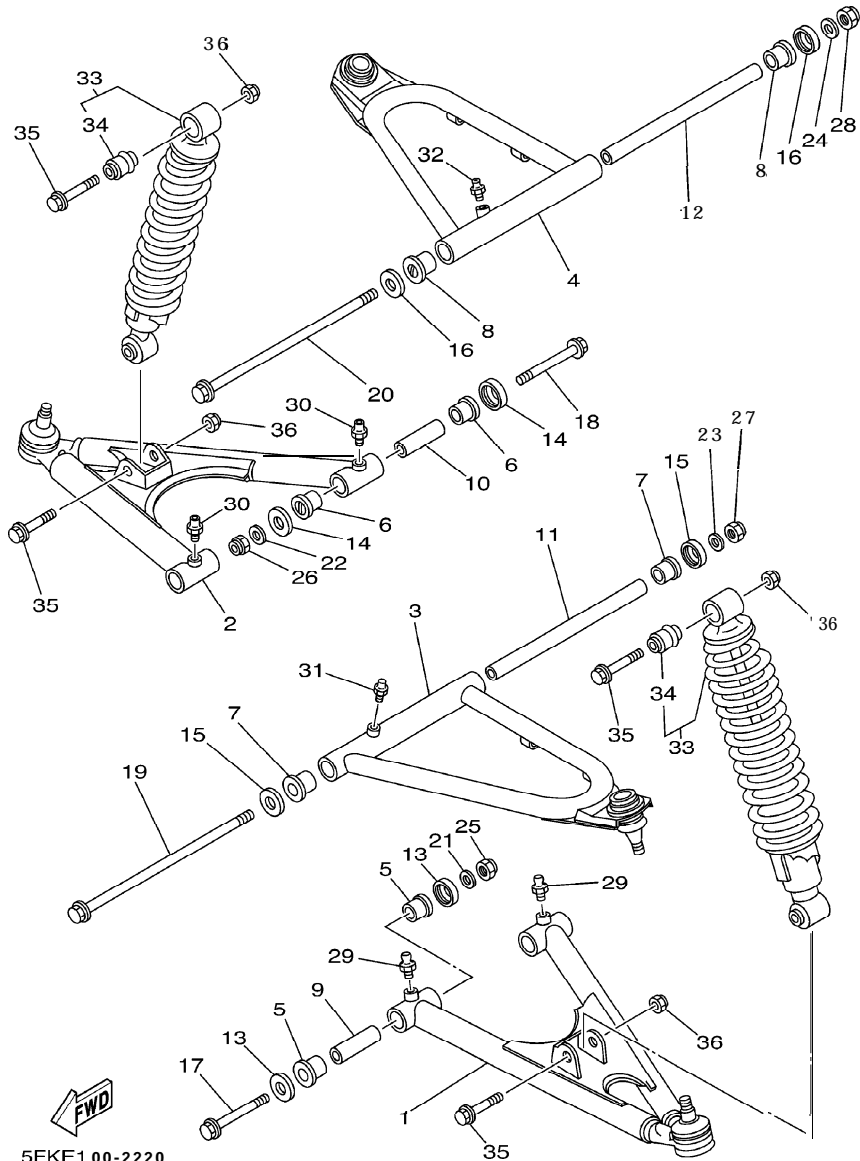


Ref. No.	Part No.	Description
1	5LP-2583T-01-00	MASTER CYLINDER AS
2	5LP-W0041-00-00	» CYLINDER KIT, MASTER
3	4L0-25854-00-00	» DIAPHRAGM RESERVOR
4	5LP-25852-0 1-00	» CAP, RESERVOIR
5	4NK-2589H-00-00	» SCREW,W/WASHER
6	5LP-25867-00-00	» BRACKET, MASTER CYLI
7	5MV-25833-00-00	» BOLT, FITTING
8	5LP-83922-00-00	» LEVER R
9	95604-06100-00	» NUT, U (4NK)
10	5LP-83980-00-00	» FRONT STOP SWITCH AS
11	5MV-2589F-00-00	» BOLT, LEVER
12	1 UY-26259-00-00	COLLAR
13	2GU-25872-02-00	HOSE,BRAKE 1
14	3GG-25873-1 1-00	HOSE,BRAKE 2
15	2GU-25871-00-00	PIPE,BRAKE
16	2GU-25882-00-00	PIPE,BRAKE 2
17	2GU-25866-00-00	CIRCLIP
18	97027-08025-00	97017-08025-00
19	92907-08600-00	WASHER (6TA)
20	90401-1 0172-00	90401-1 0172-00
21	90201-1 0118-00	WASHER,PLATE

Catalog Title:
2002 YFZ350P

Block No.
c-7

Block Title:
FRONT SUSPENSION. WHEEL

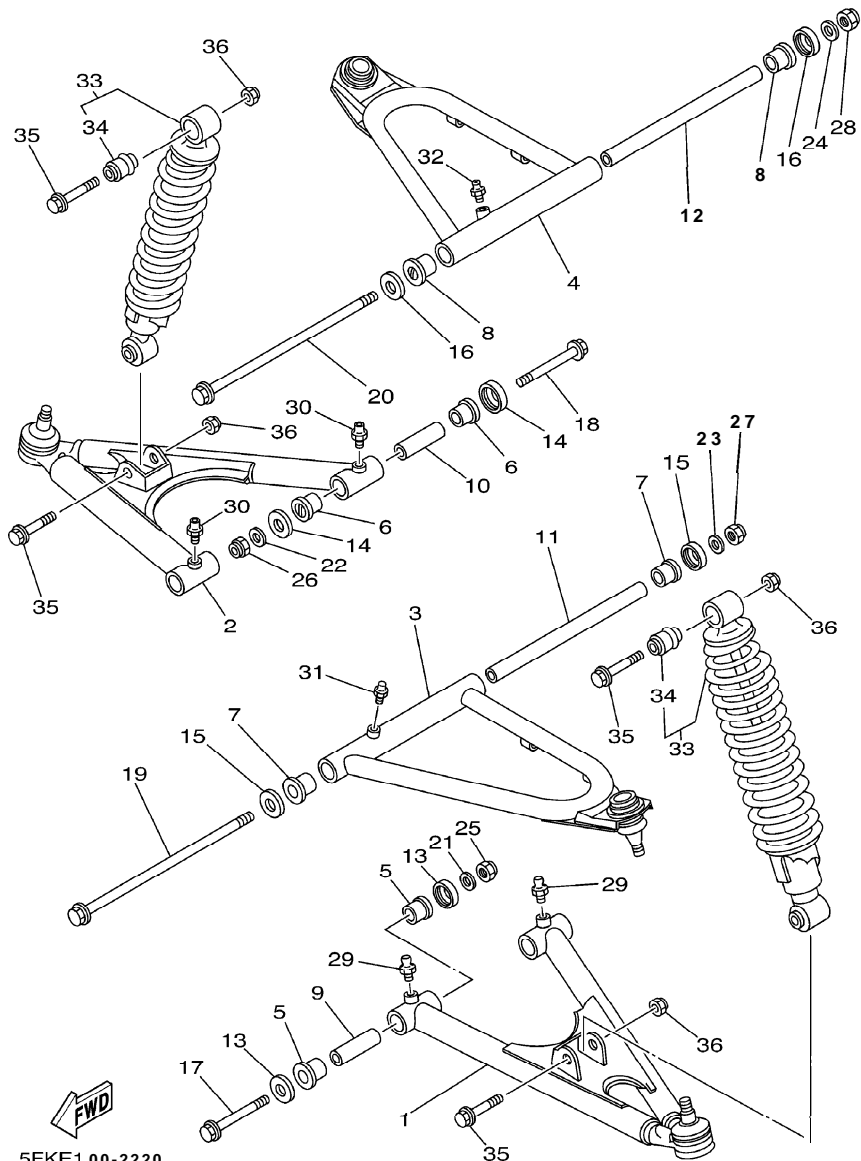


Ref. No.	Part No.	Description
2	2GU-23570-00-35	FRT LWR ARM CMPL (L)
2	2GU-23580-00-35	FRT LWR ARM CMPL (R)
3	3GG-23540-00-35	FRT. UPPER ARM (L)
4	3GG-23550-00-35	FRT. UPPER ARM (R)
5	90381-I 5088-00	BUSH,SOLID
6	90381-I 5088-00	BUSH,SOLID
6	90381-I 5088-00	BUSH,SOLID
8	90381-I 5088-00	BUSH,SOLID
9	90387-I 01 R3-00	COLLAR
10	90387-I 01 R3-00	COLLAR
11	90387-I 00Y6-00	COLLAR
12	90387-I 00Y6-00	COLLAR
13	1 UY-23517-00-00	COVER, THRUST 1
14	1 UY-23517-00-00	COVER, THRUST 1
15	1 UY-23517-00-00	COVER, THRUST 1
16	1 UY-23517-00-00	COVER, THRUST 1
17	90105-I 0034-00	BOLT, WASHER BASED
18	90105-I 0034-00	BOLT, WASHER BASED
19	90105-I 0651-00	BOLT,WASHER BASED
20	90105-I 0651-00	BOLT-WASHER BASED
21	90201-I 0430-00	90201-I 00F7-00
22	90201-I 0430-00	90201-I 00F7-00
23	90201-I 0430-00	90201-I 00F7-00
24	90201-I 0430-00	90201-I 00F7-00
25	90185-I 0060-00	90185-I 0091-00

Catalog Title:
2002 YFZ350P

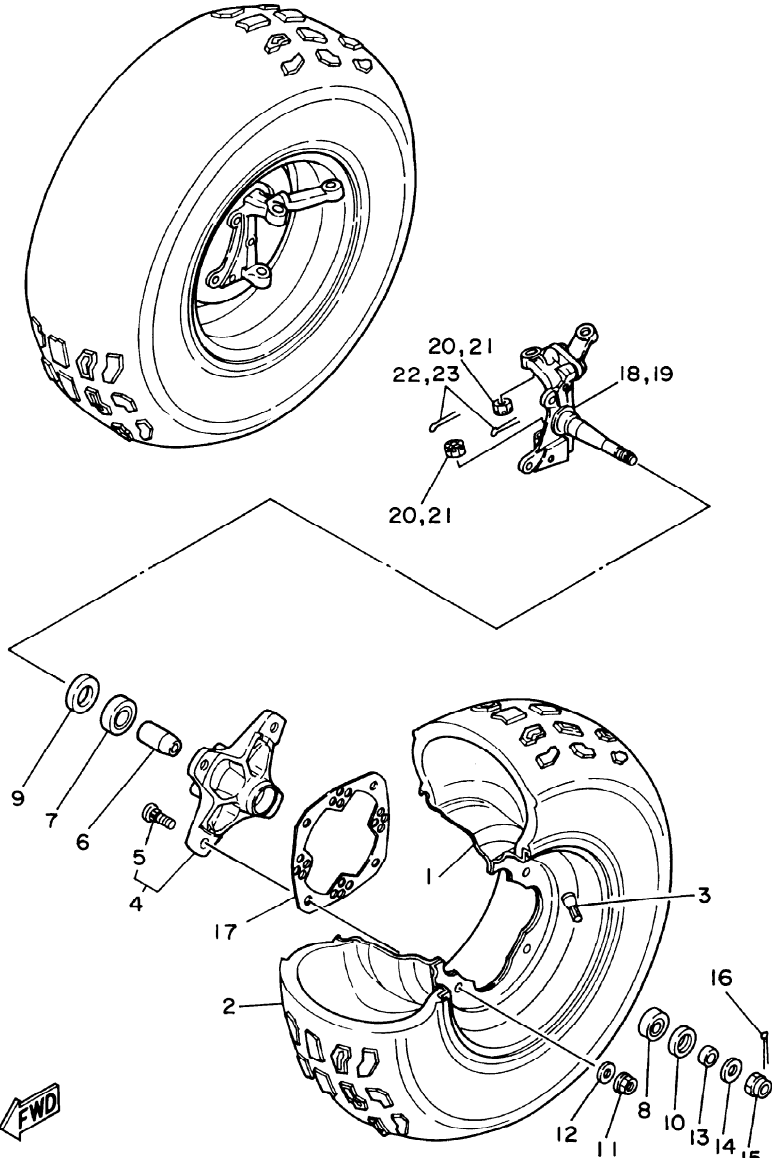
Block No.
c-7

Block Title:
FRONT SUSPENSION. WHEEL



Ref. No.	Part No.	Description
26	90185-10060-00	90185-10091-00
27	90185-10060-00	90185-10091-00
28	90185-10060-00	90185-10091-00
29	93700-06004-00	93700-06M03-00
30	93700-06004-00	93700-06M03-00
31	93700-06004-00	93700-06M03-00
32	93700-06004-00	93700-06M03-00
33	3GG-23350-20-36	SHOCKABSORBER (WHIT
34	59V-2331R-00-00	» DAMPER, BUSH B
35	90105-10388-00	BOLT, WASHERBASED
36	90185-10060-00	90185-10091-00

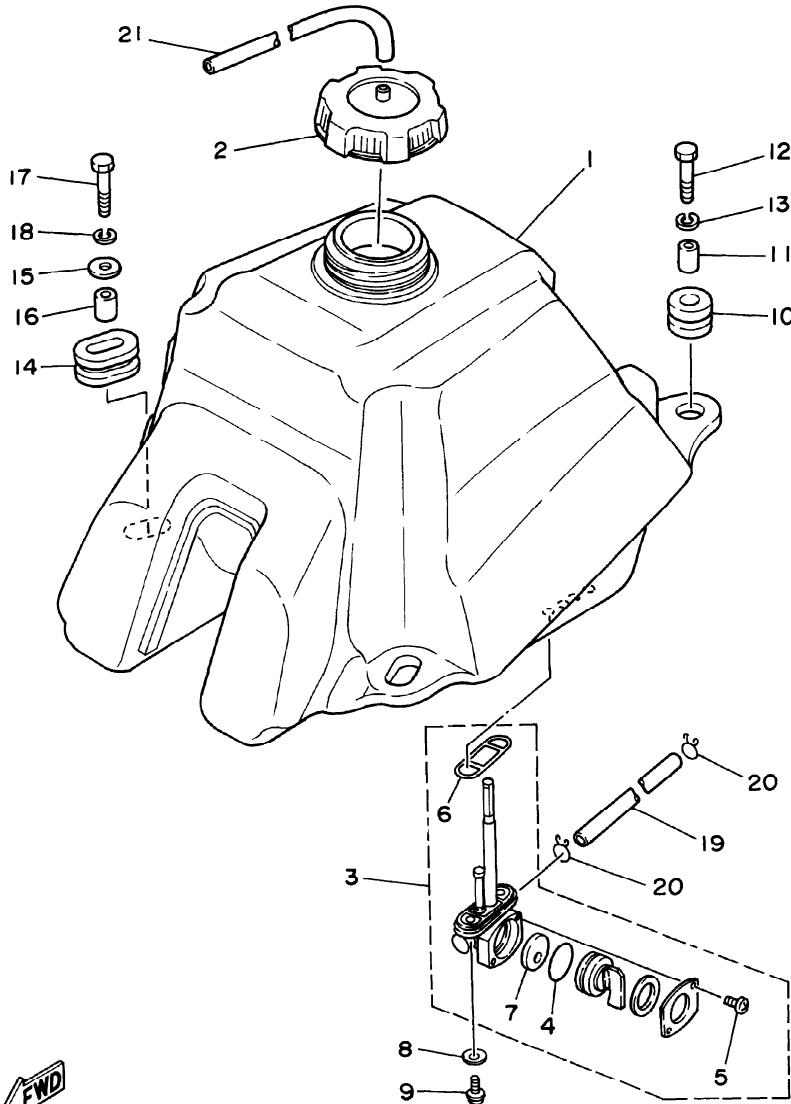
Ref. No.	Part No.	Description
1	2XK-25180-1 0-HM	WHEEL COMP.
2	94 107- 100x3-00	AT22X7-10** DUN KT70
3	93900-00022-00	93900-00030-00
4	3GD-25111-01-00	HUB, FRONT
5	90114-I 0007-00	» BOLT, STUD (38W)
6	1 UY-25117-00-00	SPACER, BEARING
7	93306-00406-00	93306-00438-00
7	93306-00438-00	BEARING
8	93306-20227-00	93306-20204-00
9	93105-26026-00	OIL SEAL, SDD-TYPE
10	93102-22216-00	OIL SEAL, SD-TYPE
11	95707-I 0500-00	90179-I 0394-00
12	92907-I 0200-00	WASHER
13	90387-I 50R1-00	COLLAR
14	90201-I 4586-00	90201-I 4220-00
15	90171-I 4020-00	90171-I 4056-00
16	91401-30025-00	91401-30030-00
17	3GD-25127-10-00	COVER, PLATE
18	3GD-23501-00-00	STEERING KNUCKLE (L)
19	3GD-23502-00-00	STEERING KNUCKLE (R)
20	90171-I 0046-00	NUT, CASTLE
21	90171-I 0046-00	NUT, CASTLE
22	91401-20020-00	91490-20020-00
23	91401-20020-00	91490-20020-00



Catalog Title:
2002 YFZ350P

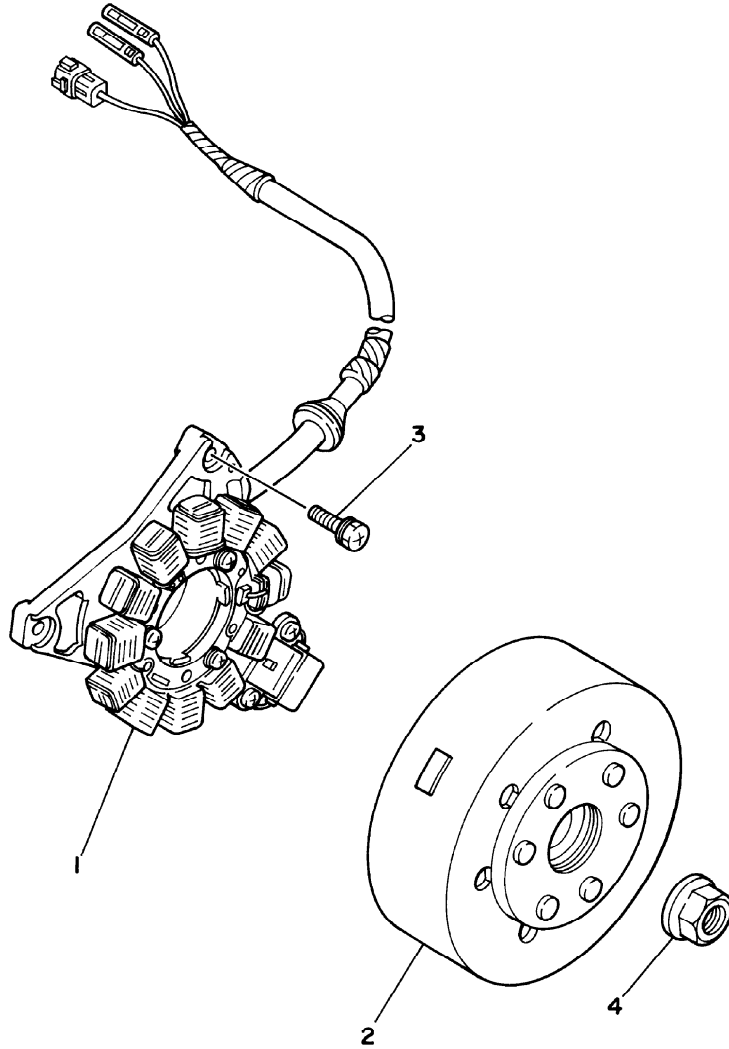
Block No.
c-9

Block Title:
FUEL TANK



Ref. No.	Part No.	Description
	2GU-24110-00-00	FUEL TANK
2	5KM-24610-00-00	CAP ASSY
3	2GU-24500-01-00	FUEL COCK ASSY 1
4	3AJ-24534-00-00	» SEAL, COCK
5	97801-03008-00	» 98580-03008-00
6	4X8-2451 2-00-00	» GASKET
	3AJ-24523-00-00	» VALVE
8	90202-05193-00	90202-05187-00
9	90149-0601 1-00	SCREW, SPEC' L SHAPE
10	90480-I 8290-00	GROMMET
11	90387-066J1-00	COLLAR
12	97027-06030-00	97017-06030-00
13	92907-06100-00	WASHER, SPRING
14	90480-01400-00	GROMMET
15	90201-060L5-00	WASHER, PLATE (1YW)
16	90387-07598-00	COLLAR
17	97027-06030-00	97017-06030-00
18	92907-06100-00	WASHER, SPRING
19	90445-I 3693-00	HOSE
20	90467-I 1106-00	CLIP
21	90445-084J1-00	90445-083J5-00

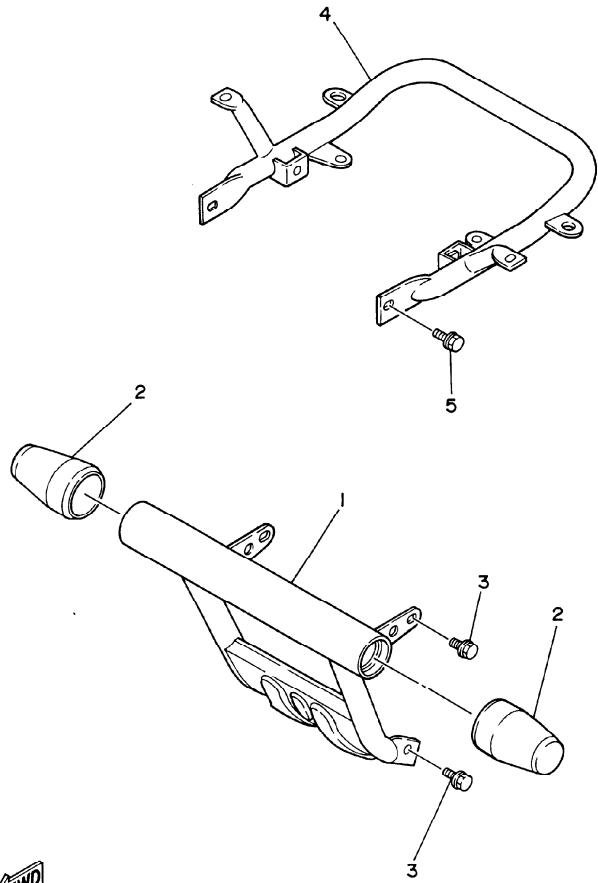




Ref. No.	Part No.	Description
1	3GG-85510-01-00	STATOR ASSY
2	3GG-85550-00-00	ROTOR ASSY
3	90159-06076-00	SCREW, WITH WASHER
4	90179-12248-00	90179-12657-00



Ref. No.	Part No.	Description
1	3GG-2845N-00-35	3GG-2845N-10-35
2	1UY-28415-00-00	DAMPER 1
3	95817-08014-00	BOLT, FLANGE
4	3GG-2845R-00-00	3GG-2845R-10-00
5	95827-08016-00	95817-08016-00



Catalog Title:

2002 YFZ350P

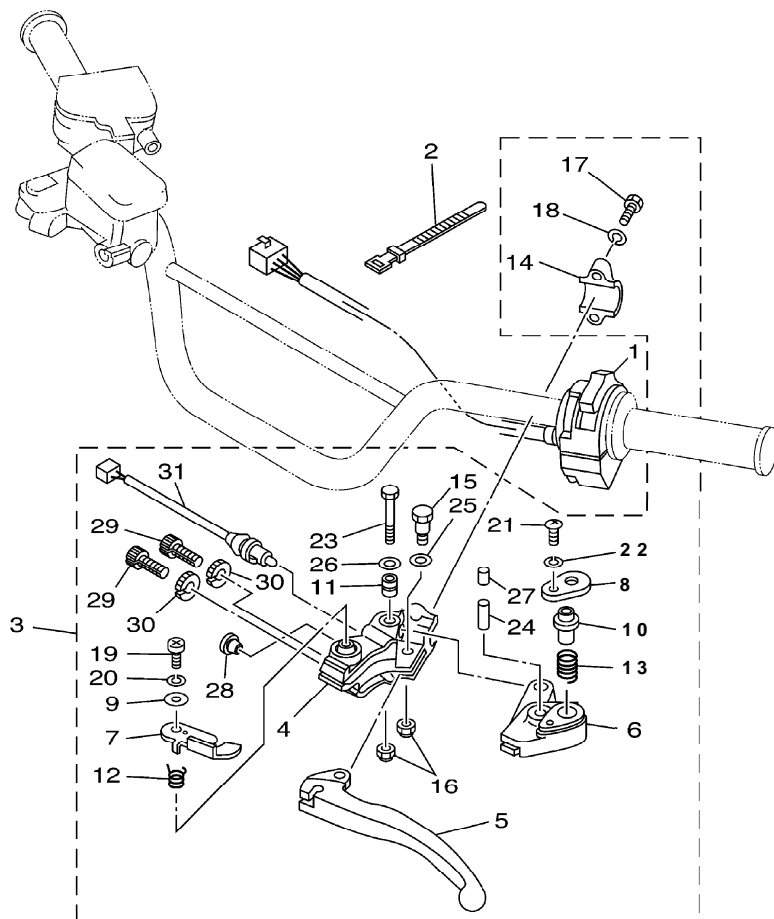
Block No.

E-I

Block Title:

HANDLE SWITCH. LEVER

Ref. No.	Part No.	Description
1	5FK-83975-00-00	SWITCH, HANDLE 2
2	437-83936-01-00	BAND SWITCH CORD
3	3GG-82910-10-00	LEVER HOLDER ASSY
4	4KB-82911-00-00	» HOLDER, LEVER 1
5	5LP-83912-00-00	» LEVER L
6	1UY-83922-01-00	» LEVER R
7	4KB-V8393-00-00	» LOCK, LEVER ASSY
8	1UY-83935-00-00	» COVER
9	1UY-83909-00-00	» WASHER, SPECIAL
10	1UY-83967-00-00	» PIN, LOCK 1
11	1UY-83913-00-00	» COLLAR, LEVER 1
12	1UY-83966-00-00	» SPRING, RETURN
13	1UY-83962-00-00	» SPRING
14	2XJ-82913-00-00	» HOLDER, LEVER LWR 1
15	90109-06576-00	» 90109-06797-00
16	95607-06100-00	» 95617-06100-00
17	97027-06025-00	» 97017-06025-00
18	92907-06600-00	» WASHER, PLATE (6TA)
19	98507-05010-00	» 98517-05010-00
20	92907-05600-00	» WASHER (1 RW)
21	98507-03008-00	» 98517-03008-00
22	92907-03600-00	» WASHER(3SX)
23	97007-06040-00	» 97017-06040-00
24	91690-40022-00	» PIN, SPRING
25	90201-082A9-00	» 90201-08083-00



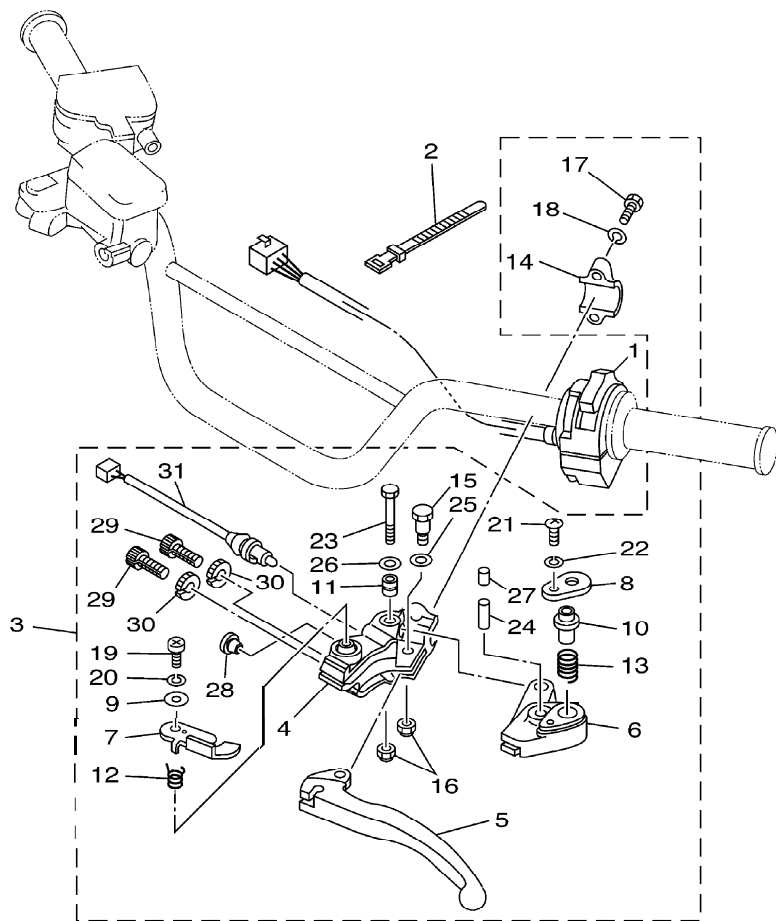
5FKE1 00-2370

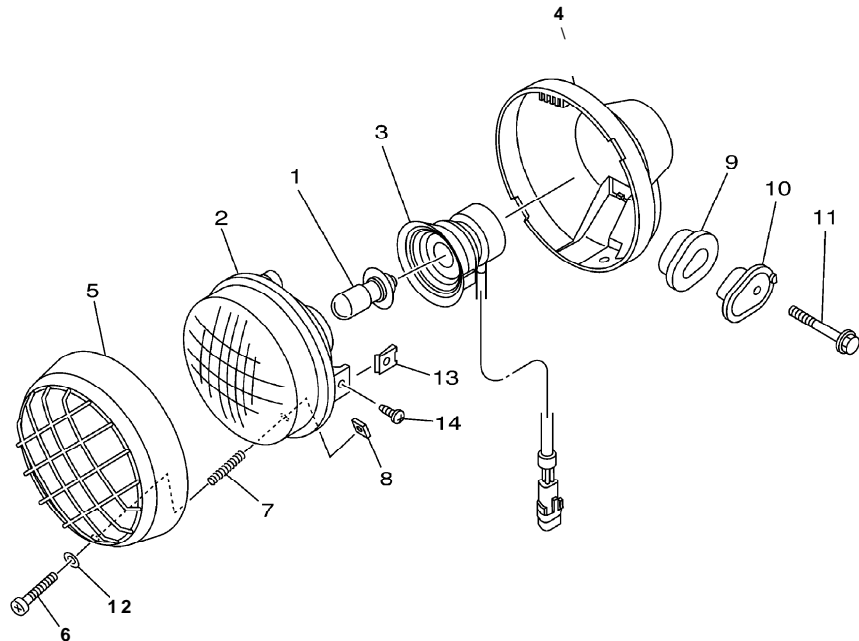
Catalog Title:
2002 YFZ350P

Block No.
E-I

Block Title:
HANDLE SWITCH. LEVER

Ref. No.	Part No.	Description
26	92907-06200-00	» WASHER (6TA)
27	1 UY-83956-00-00	» CAP 1
28	90338-1 2192-00	» PLUG, SPEC'L SHAPE
29	90123-08046-00	» BOLT
30	90179-08148-00	» NUT, SPEC'L SHAPE
31	4KB-82917-00-00	» SWITCH





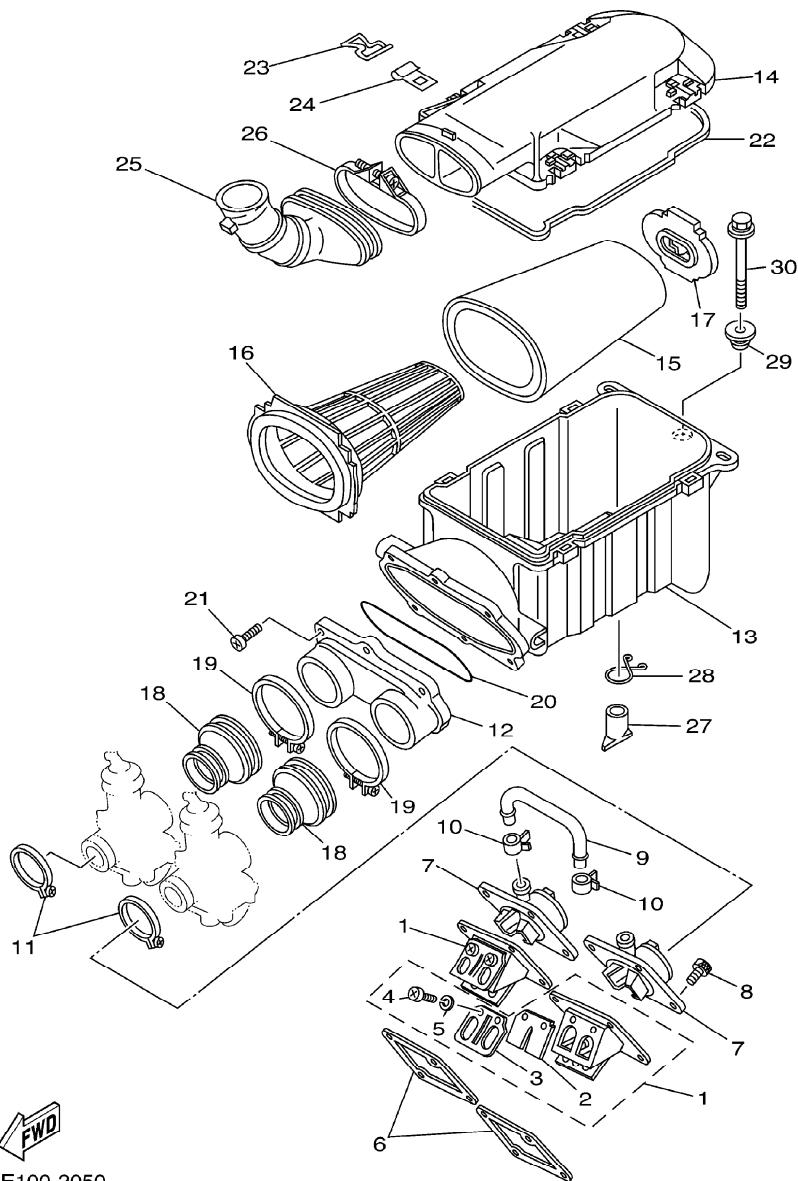
Ref. No.	Part No.	Description
1	4KB-84314-00-00	BULB,HEADLIGHT
2	5KM-84320-00-00	LENS ASSY
3	5EH-84340-00-00	SOCKET CORD ASSY 1
4	2GU-84330-70-00	BODY ASSY (YB)
5	4KB-84169-00-00	GUARD, HEADLIGHT
6	2GU-84331-00-00	98507-03540-00
	2GU-84332-00-00	SPRING, SCREW
8	2GU-84334-00-00	NUT, ADJUSTING
9	2GU-84345-00-00	DAMPER,HEADLIGHT
10	2GU-84338-00-00	COLLAR,BODY FTNG
11	95807-08055-00	95817-08055-00
12	4KB-84344-00-00	WASHER,PLAIN
13	4KB-84117-00-00	NUT
14	4KB-84526-00-00	SCREW



Catalog Title:
2002 YFZ350P

Block No.
A-9

Block Title:
INTAKE



Ref. No.	Part No.	Description
2	2GU-13610-01-00	REED VALVE ASSY
3	2GU-13613-00-00	» REED VALVE
4	2GU-13616-00-00	» STOPPER, REED VALVE
4	98507-03008-00	» 98517-03008-00
5	92907-03100-00	» 92990-03100-00
6	3GG-13621-00-00	GASKET, VALVE SEAT
8	31 K-I 3565-01-00	JOINT, CARBURETOR
8	91317-06025-00	BOLT (4MY)
9	29L-14465-00-00	PIPE
10	90467-20085-00	CLIP, SCISSOR
11	90450-44046-00	HOSE CLAMP ASSY
12	2GU-14411-00-00	CASE, AIR CLEANER 1
13	2GU-14421-01-00	CASE, AIR CLEANER 2
14	2GU-14412-00-00	CAP, CLEANER CASE 1
15	2GU-14451-00-00	ELEMENT-AIR CLEANER
16	5FK-14458-00-00	GUIDE
17	2GU-14468-00-00	PLATE, ELEMENT FITTING
18	29L-14453-01-00	JOINT, AIR CLEANER 1
19	90460-68230-00	CLAMP, HOSE
20	12R-14452-00-00	5T0-14457-00-00
21	97707-50525-00	SCREW, TRUSS
22	29L-14452-00-00	11 H-I 4452-00-00
23	90465-I 8312-00	CLAMP
24	90468-05184-00	CLIP
25	2GU-14437-00-00	DUCT

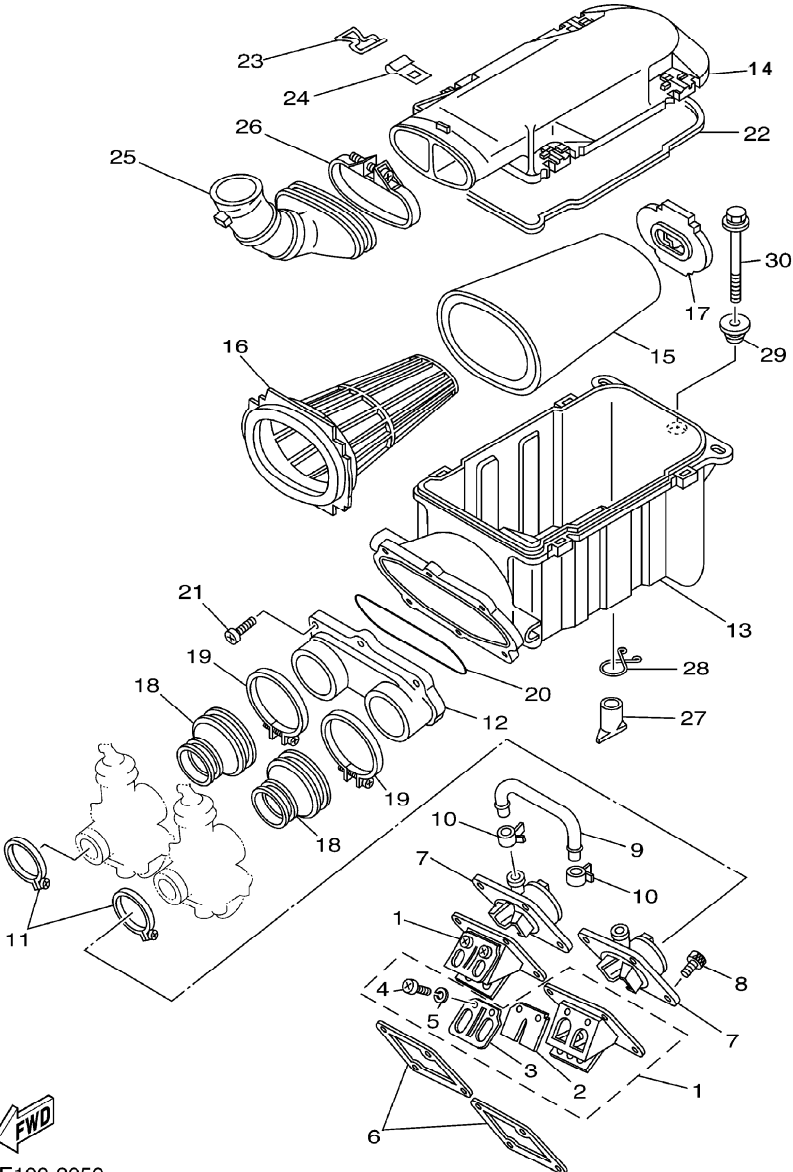


Catalog Title:
2002 YFZ350P

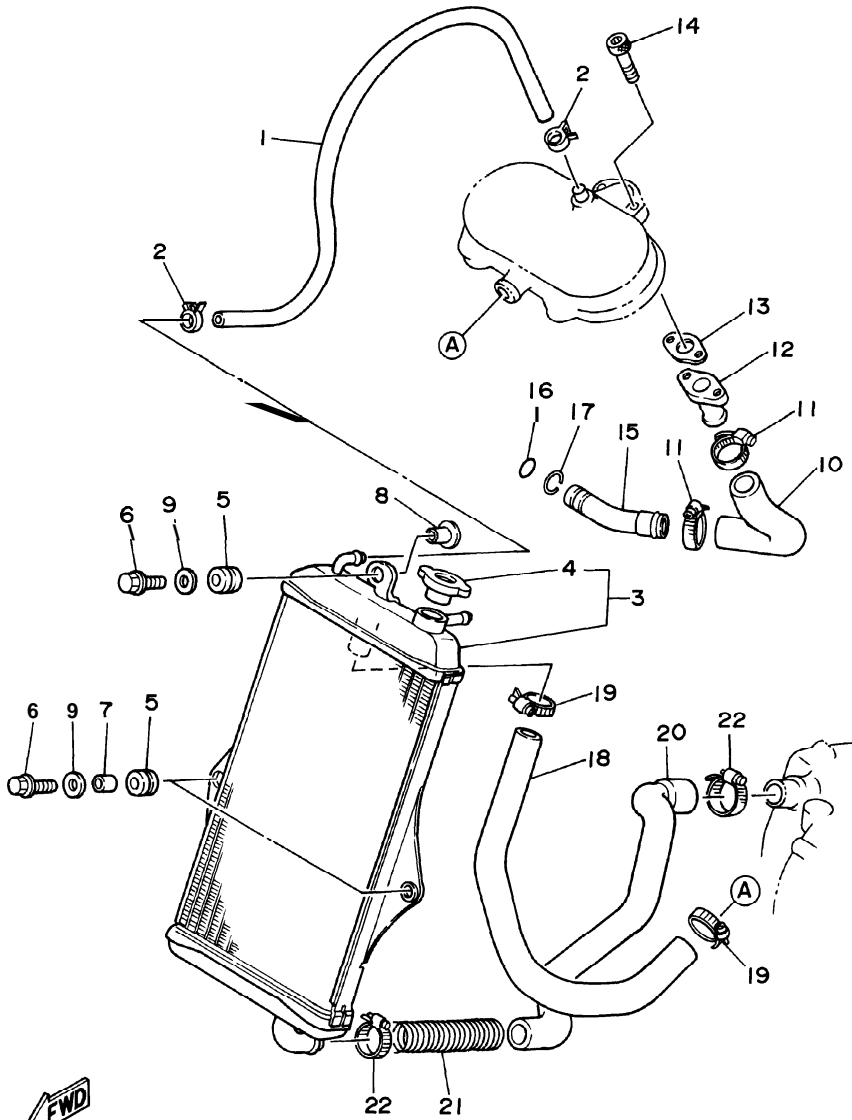
Block No.
A-9

Block Title:
INTAKE

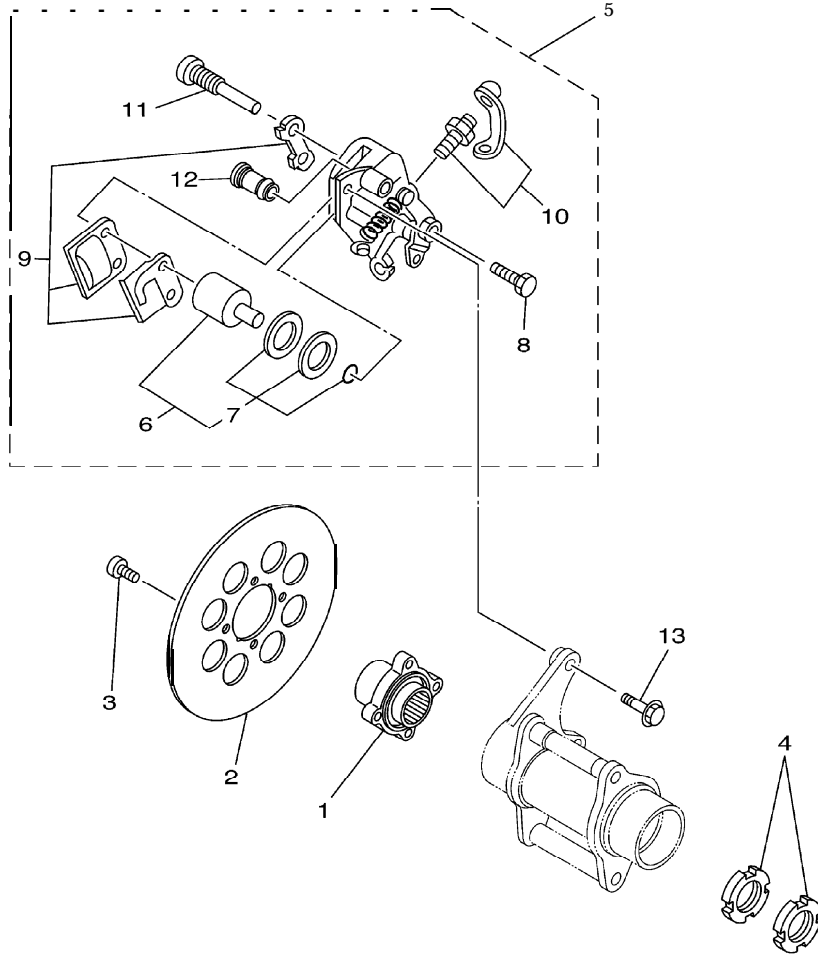
Ref. No.	Part No.	Description
26	90460-99291-00	CLAMP,HOSE
27	59V-14457-00-00	SEAL
28	90467-22080-00	CLIP,SCISSOR
29	90480-1 8171-00	GROMMET
30	90119-06096-00	90119-06063-00



Block Title:
RADIATOR. HOSE

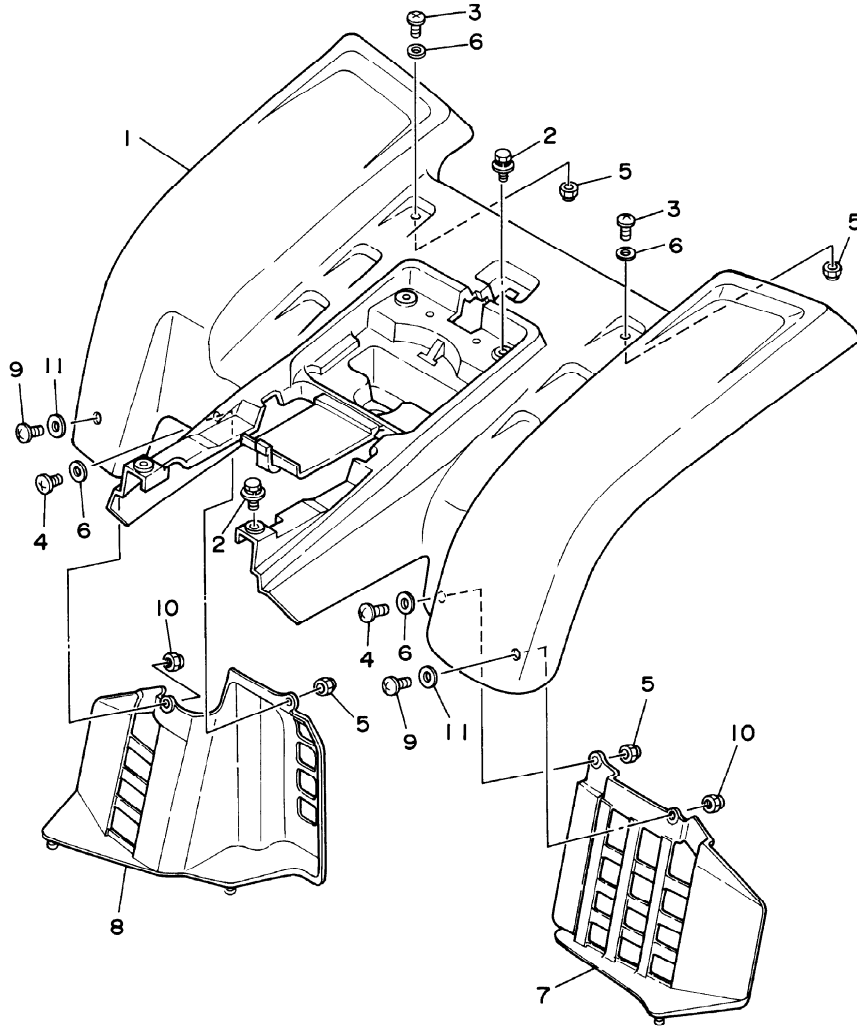


Ref. No.	Part No.	Description
	2GU-12485-00-00	PIPE 5
2	90467-13083-00	90467-13133-00
3	2GU-12460-01-00	2GU-12461-01-00
4	22W-12462-00-00	» 4FL-12462-00-00
5	90480-15470-00	GROMMET
6	95807-06025-00	95817-06025-00
	90387-0714B-00	COLLAR
8	90387-063G3-00	COLLAR (56R)
9	90201-060A3-00	WASHER, PLATE
10	29L-12481-00-00	PIPE 1
11	90450-32015-00	HOSE CLAMP ASSY
12	4L0-12479-00-00	JOINT
13	3XV-12435-00-00	GASKET
14	91317-06020-00	BOLT (4FL)
15	29L-12469-00-00	JOINT1
16	9321 0-1 7239-00	93210-16314-00
17	93440-1 9083-00	CIRCLIP, OUTER
18	2GU-12482-00-00	PIPE 2
19	90450-32015-00	HOSE CLAMP ASSY
20	2GU-12484-00-00	PIPE 4
21	11H-12516-00-00	COVER, WATER INLET
22	90450-32015-00	HOSE CLAMP ASSY



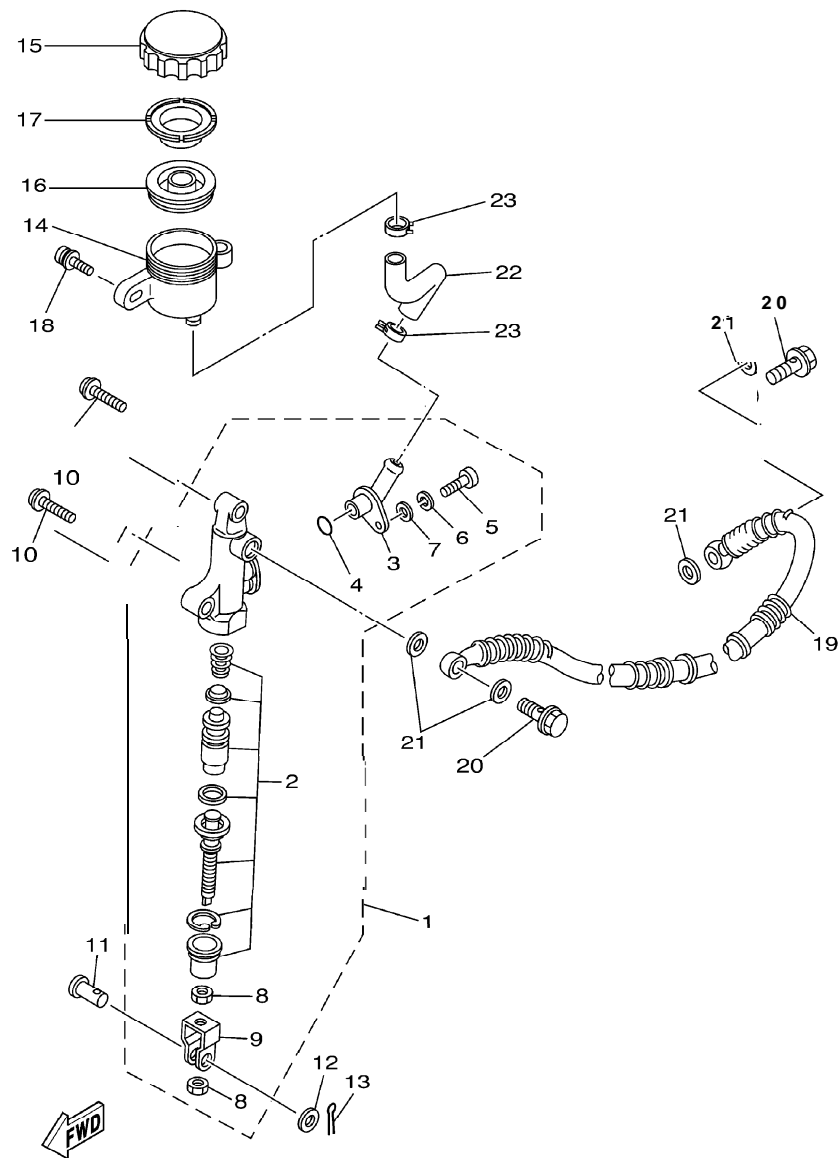
Ref. No.	Part No.	Description
1	2GU-25712-00-00	BRACKET, DISC
2	5FK-2582W-00-00	DISC, REAR BRAKE 2
3	90109-081 FO-00	90109-08789-00
4	90170-33376-00	NUT, HEXAGON
5	1UY-2580W-00-00	CALIPER ASSY REAR
6	1UY-W0057-50-00	» PISTON ASSY CALIPER
7	1UY-W0047-50-00	» CALIPER SEAL KIT
8	1 UY-25972-51-00	» ADJUST BOLT
9	1UY-W0046-00-00	» BRAKE PAD KIT REAR
10	1UY-W0048-50-00	» 36Y-W0048-00-00
11	1 UY-25924-51-00	» PIN, PAD
12	1 UY-25917-51-00	» BOOT, CALIPER
13	90105-08440-00	95817-08025-00





Ref. No.	Part No.	Description
1	2GU-W2161-91-00	FENDER,REAR COMP. (R)
1	2GU-W2161 -BI-00	FENDER, REAR COMP. (
2	90119-06056-00	97017-060 16-00
3	90149-06306-00	SCREW (3JM)
4	90150-06037-00	SCREW, ROUND HEAD
5	95607-06100-00	95617-06100-00
6	92907-06200-00	WASHER (6TA)
7	3GG-21691-00-00	FLAP (YB)
8	3GG-21621-00-00	FLAP (YB)
9	90149-06306-00	SCREW (3JM)
10	95607-06100-00	95617-06100-00
11	92907-06200-00	WASHER (6TA)



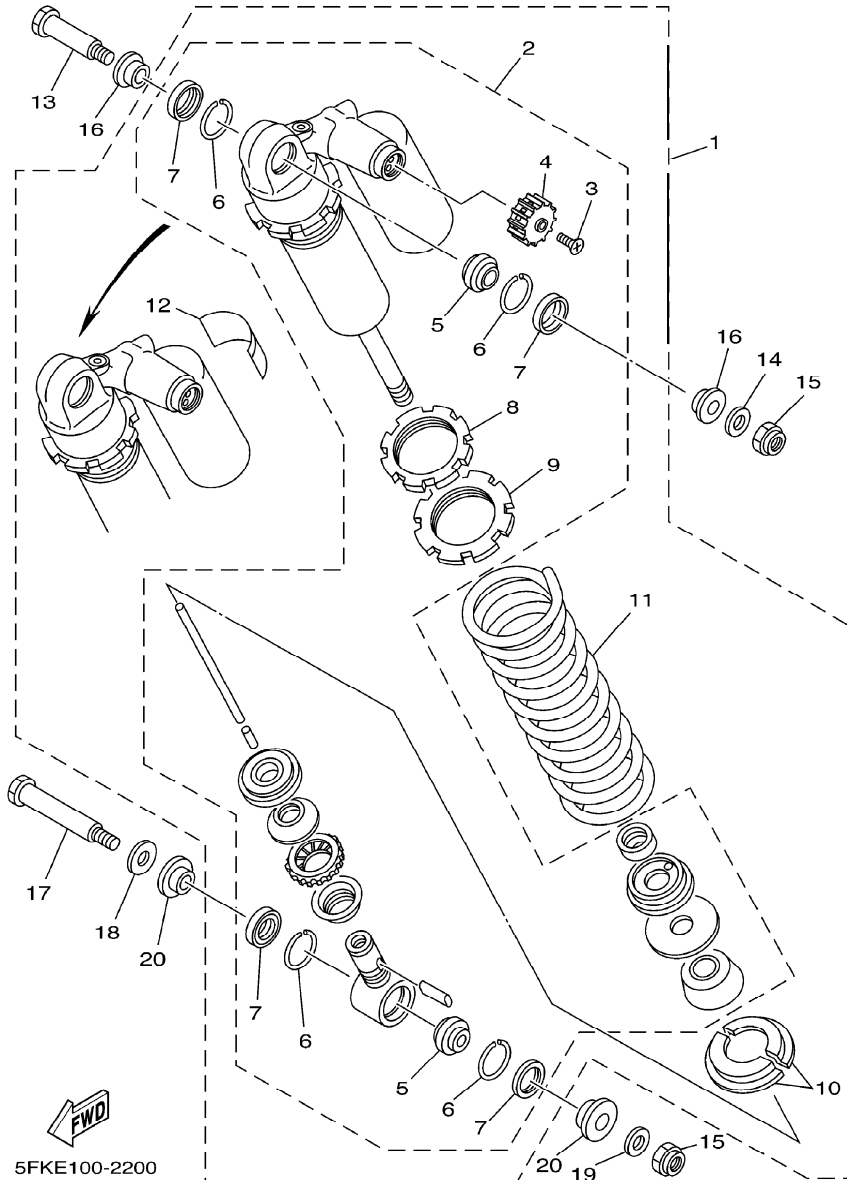


Ref. No.	Part No.	Description
1	5FK-2583V-00-00	RR. MASTER CYLINDE
2	5FK-W0042-50-00	» CYLINDER KIT, MASTER
3	29L-2582A-50-00	» CONNECTOR
4	9321 0-1 5620-00	» 9321 0-1 5566-00
5	9851 1-0401 2-00	» 98517-04012-00
6	92902-04100-00	» 92903-04100-00
7	92901-04600-00	» 92990-04600-00
8	4SS-27218-00-00	» 95317-08700-00
9	2YK-27222-00-00	» JOINT
10	92017-08025-00	BOLT, BUTTON
11	90240-08013-00	PIN,CLEVIS
12	90201-08083-00	WASHER, PLATE
13	91401-16012-00	91401-I 6020-00
14	1 AL -25894-0 1-00	TANK, RESERVOIR
15	2KF-25852-50-00	CAP,RESERVOIR
16	360-25854-01-00	DIAPHRAGM, RESERVO
17	3GG-25874-02-00	DIAPHRAGM, HOSE, HOSE, HOSE, DIAPHRAGM
20	90401-I 0159-00	90401-I 0172-00
21	2GU-25895-00-00	90201-I 0159-00
22	90467-I 4057-00	WASHER, PLATE, HOSE, RESERVOIR
23		CLIP,SCISSOR

Catalog Title:
2002 YFZ350P

Block No.
C-5

Block Title:
REAR SUSPENSION



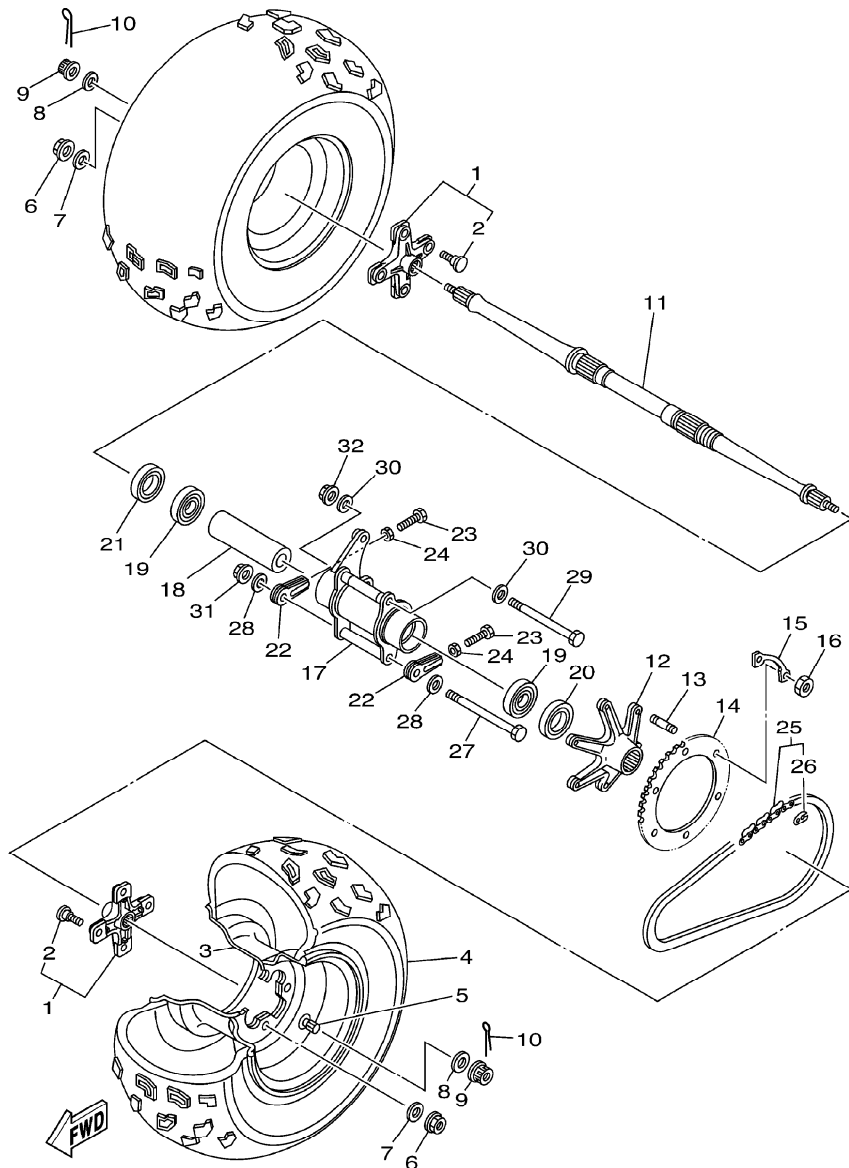
Ref. No.	Part No.	Description
1	3GG-22210-41-36	SHOCK ABSORBER ASS
1	3GG-22210-41-P1	SHOCK ABSORBER ASSY,
2	3GG-22201-41-00	» DAMPER SUB ASSY
3	98507-04006-00	» 98517-04006-00
4	CA4-22464-00-00	» UNAVAILABLE
5	93399-99916-00	» 93399-99934-00
6	93440-30113-00	» CIRCLIP, OUTER
7	93104-I 8077-00	» OIL SEAL, SO-TYPE
8	1 RK-22215-00-00	» RING, COVER
9	38W-22223-00-00	» SEAT, SPRING LOWER
10	22W-22214-01-00	» GUIDE, SPRING 1
11	38W-22212-10-36	» SPRING (WW)
11	38W-22212-10-P2	» SPRING
12	4AA-22259-80-00	» LABEL, WARNING
13	90109-I 0704-00	BOLT
14	90201-I 0430-00	90201-I 00F7-00
15	90185-I 0120-00	NUT, SELF-LOCKING
16	90387-I 27G8-00	COLLAR
17	90109-I 02A6-00	BOLT
18	90201-I 20E6-00	WASHER, PLATE
19	90201-I 00E9-00	90201-I 0M05-00
20	90387-I 26H8-00	COLLAR



Catalog Title:
2002 YFZ350P

Block No.
D-I

Block Title:
REAR WHEEL

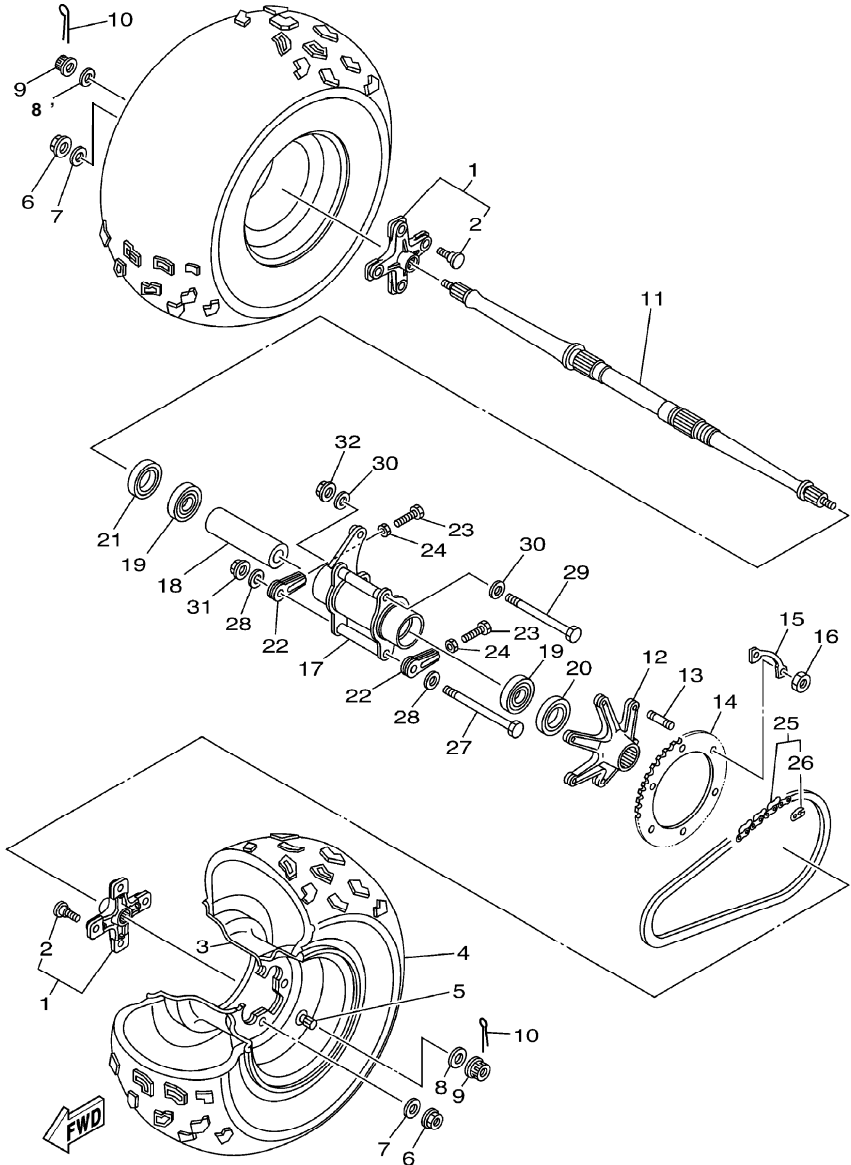


Ref. No.	Part No.	Description
1	5LP-25383-00-00	COLLAR, WHEEL
2	90114-1 0009-00	» BOLT,RIBBED NECK
3	2XK-25390-01-HM	WHEEL, REAR (AMS)
4	94110-090Y3-00	AT20X1 0-9** DUN KT87
5	93900-00022-00	93900-00030-00
6	95707-1 0500-00	90179-10394-00
7	92907-1 0200-00	WASHER
8	90201-1 4226-00	90201-1 40A6-00
9	90171-1 4037-00	NUT, CASTLE
10	91401-30030-00	91490-30030-00
11	38W-25381-02-00	AXLE, WHEEL
12	2XJ-25386-00-00	COLLAR, SPRKT AXLE
13	90116-08507-00	BOLT, STUD
14	2XJ-25441-20-00	SPROCKET,DRIVN 41T
15	2XJ-25412-00-00	WASHER
16	90170-08258-00	90170-08158-00
17	3GG-25311-01-35	HUB, REAR (SL)
18	90560-35263-00	SPACER
19	93306-00705-00	BEARING
20	93102-42260-00	93106-42026-00
21	93102-43341-00	OIL SEAL, SD-TYPE
22	2XJ-25388-00-00	PULLER, CHAIN 1
23	90101-08777-00	BOLT(4SR)
24	95307-08600-00	95337-08600-00
25	94581-87104-00	UNAVAIL LABLE

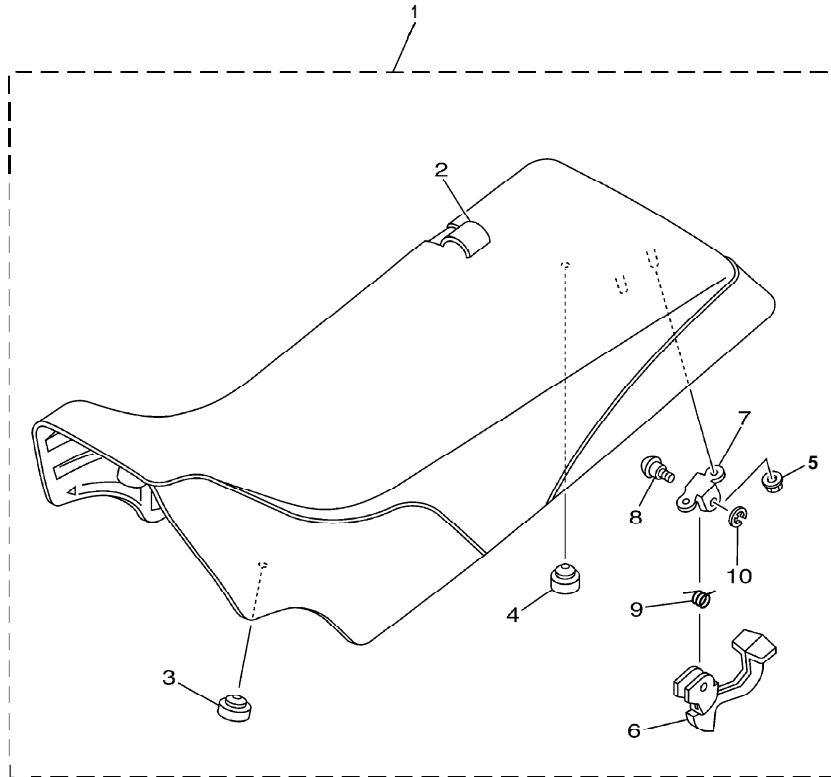
Catalog Title:
2002 YFZ350P

Block No.
D-I

Block Title:
REAR WHEEL

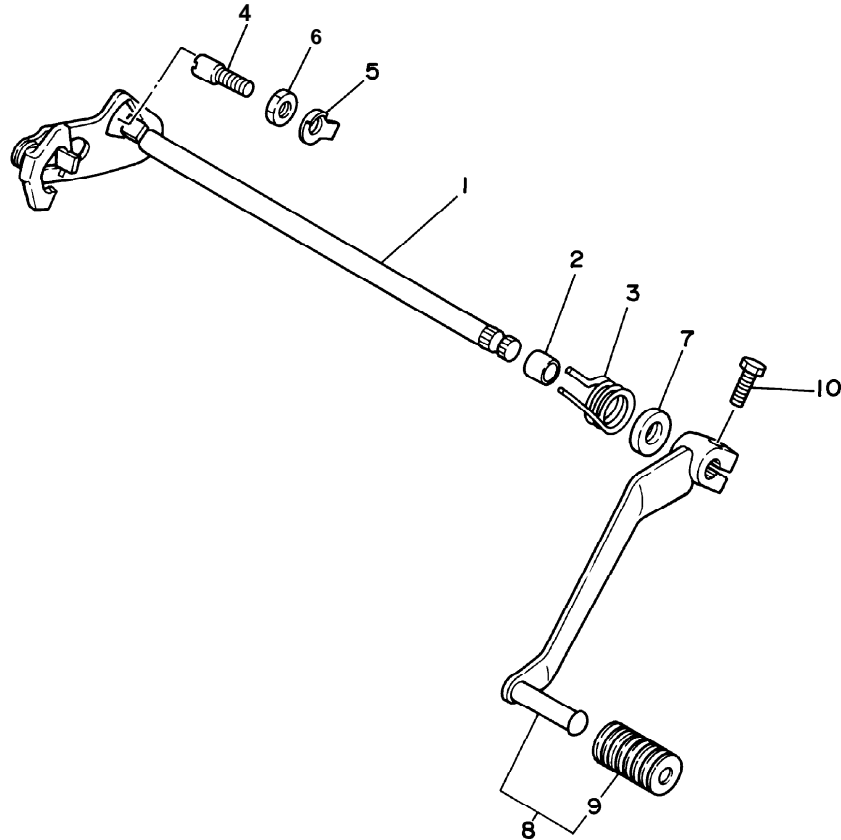


Ref. No.	Part No.	Description
26	94681-0801 1-00	» JOINT,CHAIN(520V6
27	90101-10685-00	BOLT
28	90201-106F2-00	WASHER, PLATE
29	90101-12694-00	BOLT (3GG)
30	90201-126A7-00	WASHER, PLATE
31	90179-10247-00	90179-10658-00
32	90179-12588-00	90179-12657-00



Ref. No.	Part No.	Description
2	5FK-24710-E0-00	SINGLE SEAT ASSY
3	5FK-2470F-E0-00	» COVER, SEAT
4	22W-24741-00-00	» PAD, SEAT
4	371-27114-00-00	» STOPPER, MAIN STAND
5	95707-06500-00	» NUT, FLANGE (4MV)
6	3GD-24776-00-00	» LEVER, SEAT
	4K0-24775-00-00	» BRACKET, SEAT LEVER
8	4K0-24774-01-00	» PIN
9	90508-20454-00	» SPRING, TORSION
10	93430-20454-00	» UNAVAILABLE

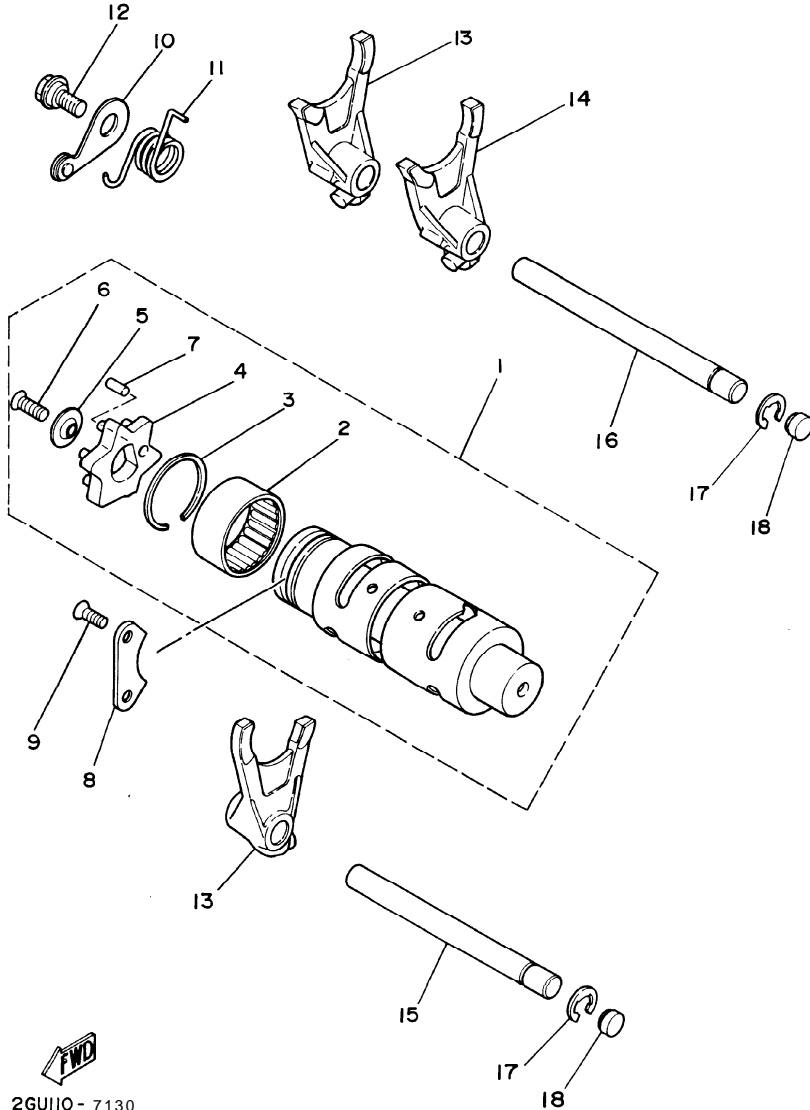


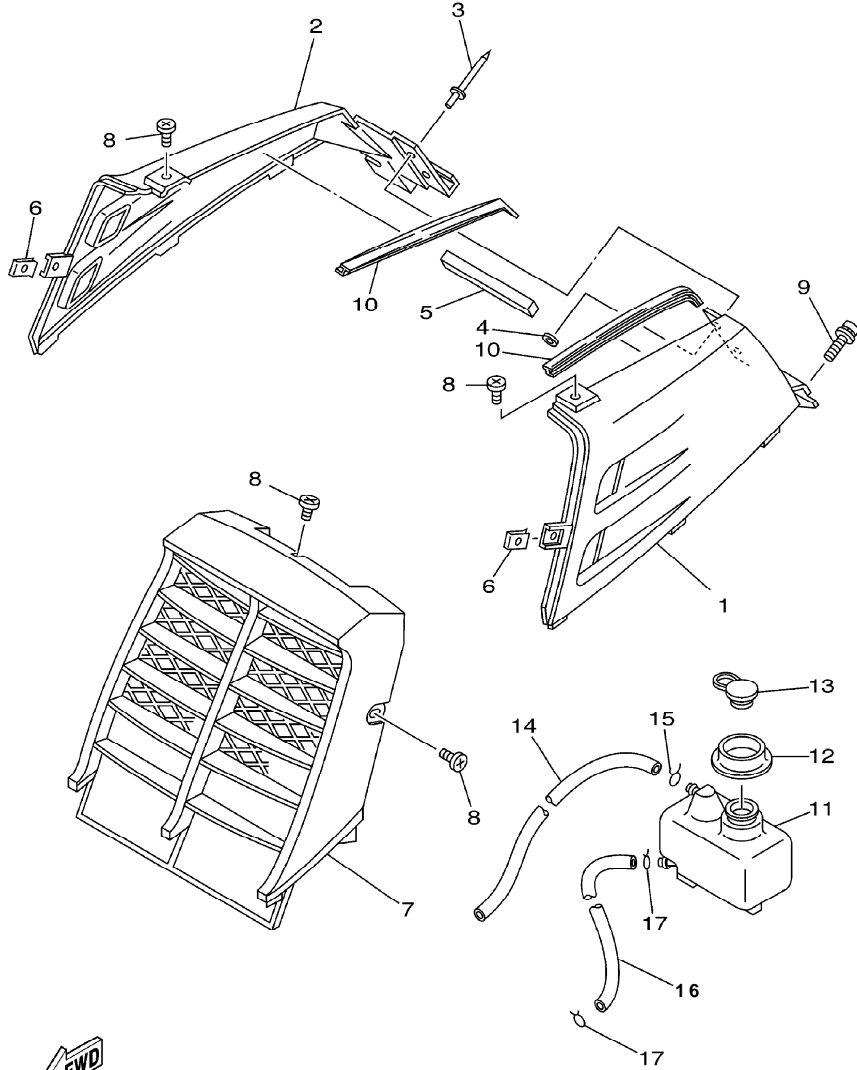


Ref. No.	Part No.	Description
1	2GU-18101-00-00	SHIFT SHAFT ASSY 1
2	90560-12171-00	SPACER
3	90508-32374-00	SPRING,TORSION
4	90149-08256-00	SCREW
5	90215-08174-00	WASHER, LOCK
6	90170-08029-00	90170-08193-00
7	93102-I 2106-00	93102-I 2321-00
8	2GU-18110-01-00	PEDAL, SHIFT
9	132-I 8113-01-00	» COVER,SHIFT PEDAL
10	97017-08020-00	BOLT- HEXAGON



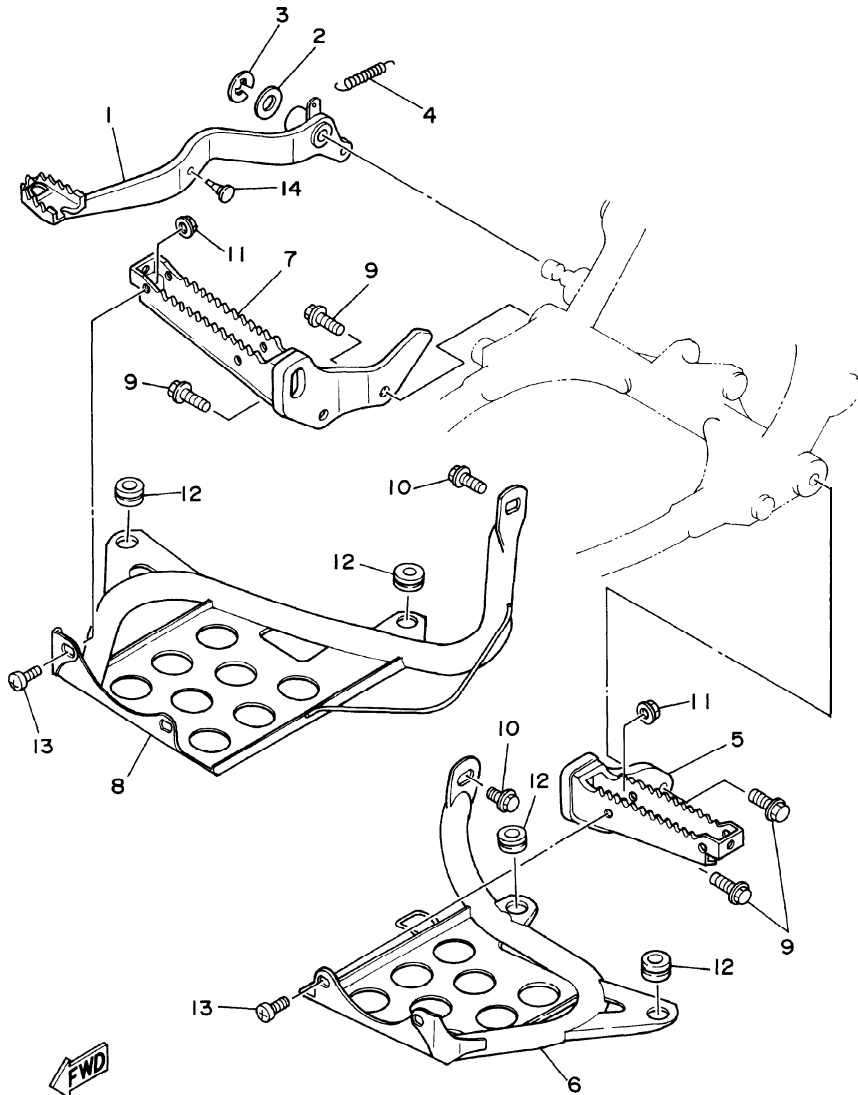
Ref. No.	Part No.	Description
1	2GU-18540-00-00	SHIFT CAM ASSY
2	93315-23612-00	» BEARING,CYL.#15
3	93440-34025-00	» CIRCLIP, OUTER
4	4L0-18185-00-00	» SEGMENT
5	3R4-18561-00-00	» PLATE,SIDE 1
6	98707-05016-00	» SCREW,FLAT
7	93604-1 2037-00	» PIN,DOWEL
8	4L0-18562-00-00	PLATE,STOPPER 2
9	98707-06014-00	SCREW,FLAT
10	4L0-18140-00-00	STOPPER LEVER ASY
11	90508-29728-00	SPRING,TORSION
12	90109-063F7-00	50W-21631-00-00
13	2GU-1851 1-00-00	FORK,SHIFT 1
14	2GU-18512-00-00	FORK,SHIFT 2
15	4L0-18531-01-00	BAR,SHIF FRK GDE 1
16	29L-18535-00-00	BAR,SHIF FRK GDE 2
17	93430-08007-00	CIRCLIP,E-TYPE
18	90334-1 0006-00	PLUG,STRAIGHT



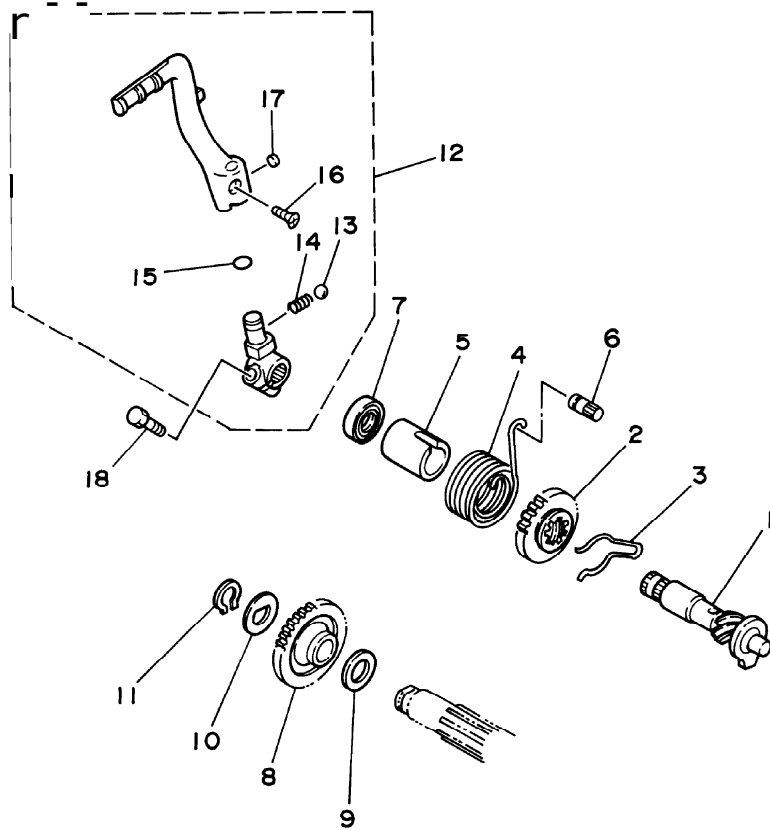


Ref. No.	Part No.	Description
1	2GU-2171I-80-00	COVER, SIDE 1 (LEFT-
1	2GU-2171I-90-00	COVER, SIDE 1
2	2GU-2172I-80-00	COVER, SIDE 2 (RIGHT
2	2GU-2172I-90-00	COVER, SIDE 2 (BLACK)
3	90267-40076-00	RIVET, BLIND
4	90201-047A2-00	WASHER, PLATE
5	2GU-21747-00-00	15A-2 1649-00-00
6	90183-05024-00	NUT, SPRING
7	2GU-23391-80-00	PANEL, FRONT (DPBSE)
7	5FK-23391-A0-00	PANEL, FRONT
8	90154-05013-00	SCREW, BINDING
9	90159-06082-00	98507-060 16-00
10	2GU-2171L-00-00	4WV-2171L-00-00
11	2GU-21871-00-00	TANK, RECOVERY
12	90480-48399-00	GROMMET
13	1 0V-21875-00-00	CAP
14	90445-084J0-00	HOSE (3GG)
15	90467-08075-00	90467-07093-00
16	90445-090F7-00	90445-090F6-00
17	90467-08003-00	CLIP, SCISSOR





Ref. No.	Part No.	Description
1	3GG-27211-00-00	PEDAL, BRAKE
2	90201- 15797-00	WASHER, PLATE
3	93430-1 2008-00	CIRCLIP, E-TYPE
4	90506-20380-00	SPRING, TENSION
5	3GG-27411-01 -00	FOOTREST 1
6	3GD-27445-00-00	PLATE 1
7	3GG-27421-01-00	FOOTREST 2
8	3GG-27446-00-00	PLATE 2
9	95817-1 0025-00	BOLT, FLANGE (3GD)
10	95827-08016-00	95817-08016-00
11	95707-08500-00	90179-08491-00
12	90480-1 841 1-00	GROMMET
13	92017-08016-00	BOLT, BUTTON
14	90480-05201-00	GROMMET



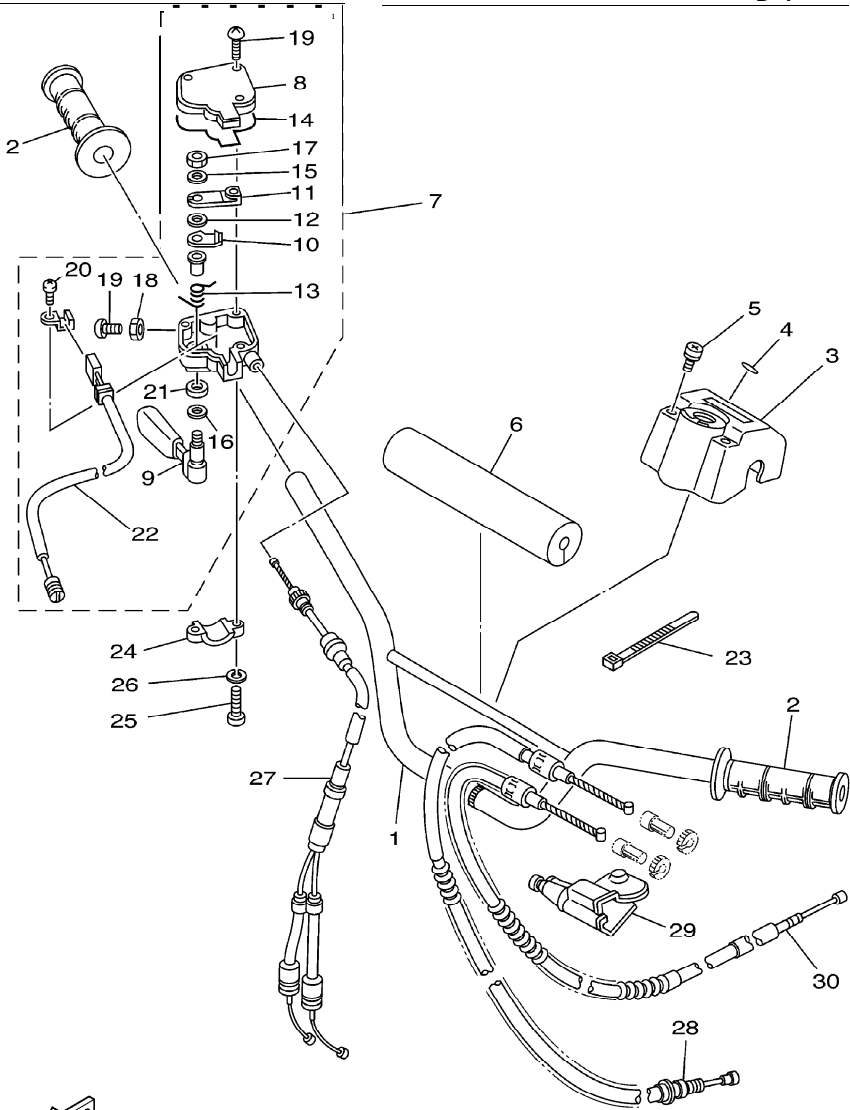
Ref. No.	Part No.	Description
2	4L0-15660-01-00	KICK AXLE ASSY
3	4L0-15641-00-00	GEAR, KICK
4	90468-26091-00	CLIP
5	90508-30051-00	SPRING, TORSION
6	4L0-15666-00-00	SPACER
7	248-15668-00-00	STOPPER
8	93102-20484-00	OIL SEAL
9	4L0-15651-00-00	GEAR, KICK IDLE
10	164-17417-00-10	SHIM 1
11	99009-15400-00	WASHER, CLAW
12	2GU-15620-01-00	CIRCLIP (55X)
13	93507-32031-00	KICK CRANK ASSY
14	90501-12081-00	» BALL 7/32
15	9321 0-1 4369-00	» SPRING, COMPRESSION
16	90152-0601 0-00	» O-RING
17	90336-42049-00	» 90151-06010-00
18	97027-08030-00	» PLUG, TAPER
		97017-08030-00



Catalog Title:
2002 YFZ350P

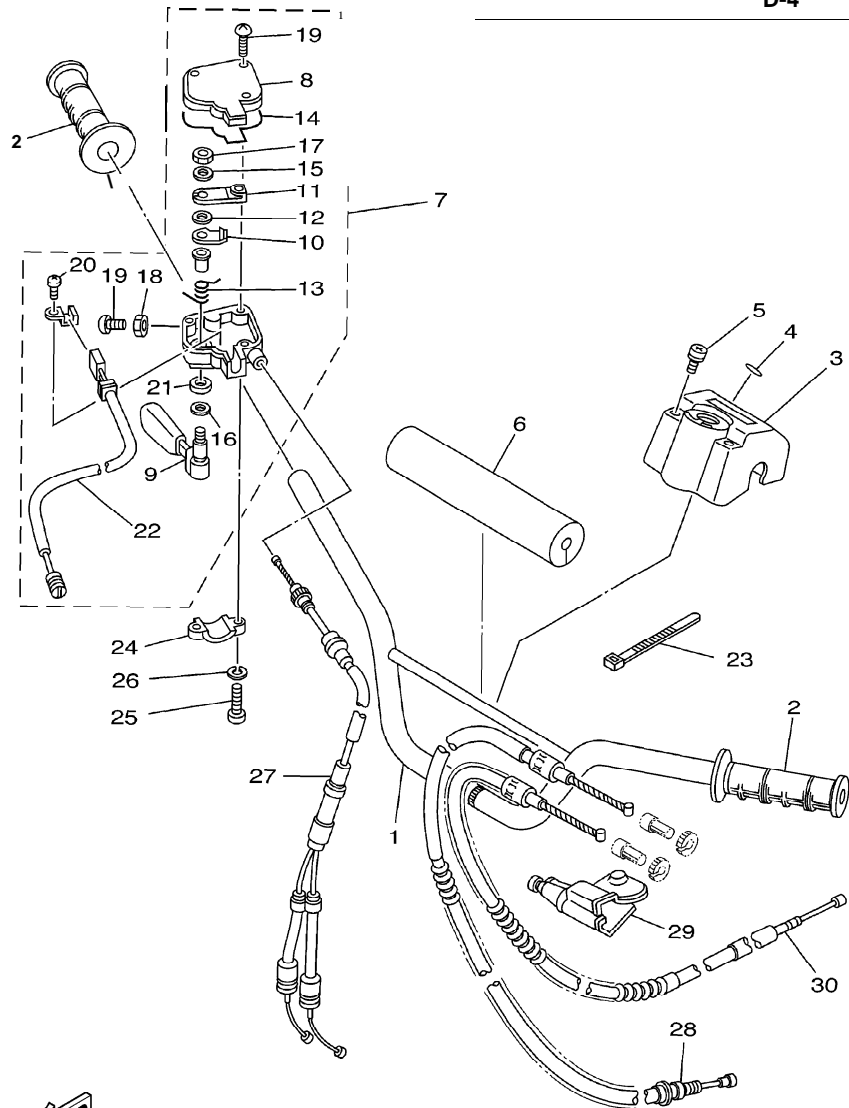
Block No.
D-4

Block Title:
STEERING HANDLE. CABLE



Ref. No.	Part No.	Description
2	5FK-2611 1-00-00	HANDLEBAR
3	5LP-26241-00-00	GRIP
4	2GU-26124-01-00	PROTECTOR,HANDLEBAR
5	5GT-2836B-00-00	TUNING FORK MARK
6	90159-06093-00	98507-060 14-00
7	5NF-2622K-00-00	PROTECTOR 1
8	3GG-26250-00-00	THROTTLE LEVER ASSY
9	2GU-2628F-00-00	» CAP, GEAR
10	2GU-2625G-01-00	» LEVER,THROTTLE
11	2GU-2625H-00-00	» ARM, THROTTLE 1
12	2GU-2625J-00-00	» ARM, THROTTLE 2
13	2GU-26259-00-00	» COLLAR
14	2GU-26314-00-00	» SPRING
15	2GU-2628G-00-00	» GASKET
16	2GU-26398-00-00	» WASHER
17	1 NV-261 29-00-00	» WASHER
18	95602-05100-00	» 95612-05100-00
19	95306-05700-00	» 95316-05700-00
20	98506-05020-00	» 98507-05020-00
21	98902-03006-00	» 98907-03006-00
22	93104-09025-00	» OIL SEAL,SO-TYPE
23	3GG-82567-00-00	» SWITCH, THROTTLE
24	437-83936-01-00	BAND SWITCH CORD
25	4V4-82913-00-00	HOLDER,LEVER LWR 1
26	98507-05020-00	SCREW,PAN HEAD (4MY)





Ref. No.	Part No.	Description
26	92907-05100-00	WASHER(3SX)
27	2GU-26260-01-00	CABLE ASSY,THRTL. PU
28	5FK-26335-00-00	CABLE, CLUTCH
29	1UY-2637A-01-00	COVER,HANDLE LEVER
30	1 UY-26341-02-00	CABLE, BRAKE

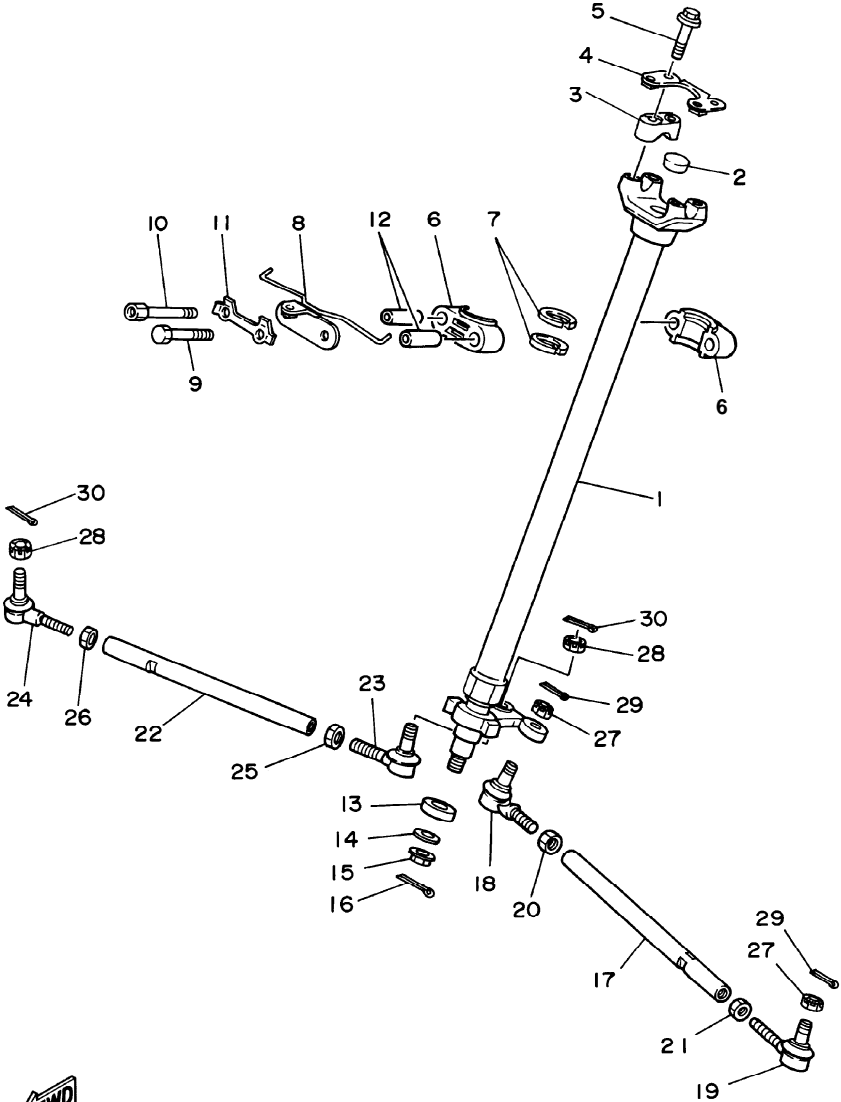


Catalog Title:
2002 YFZ350P

Block No.
C-6

Block Title:
STEERING

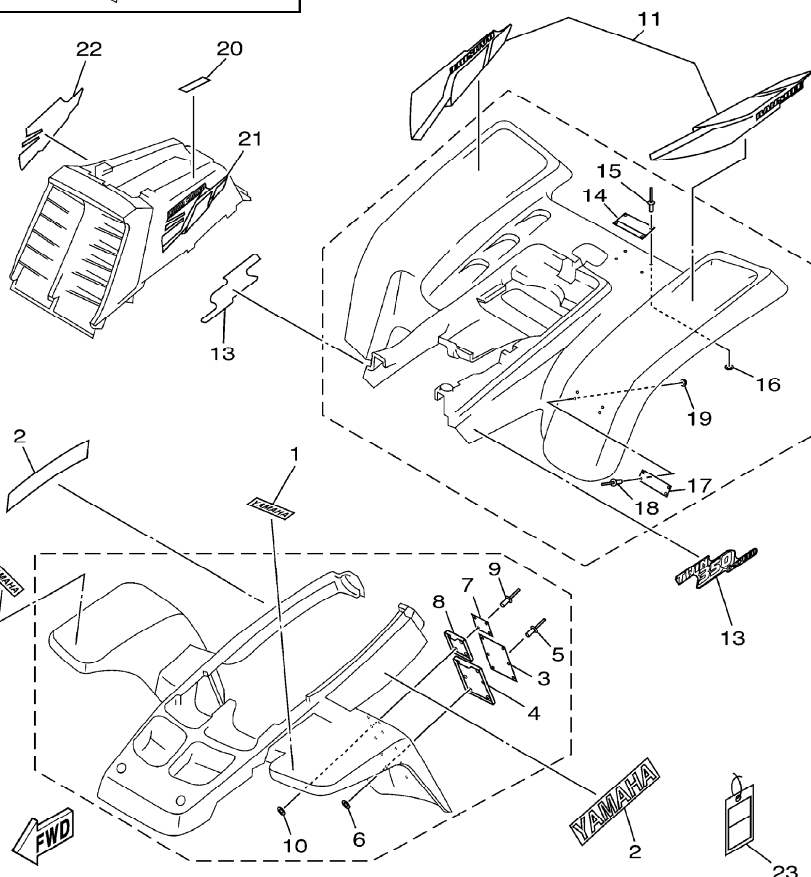
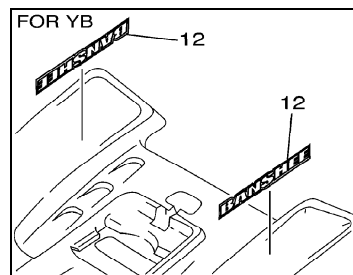
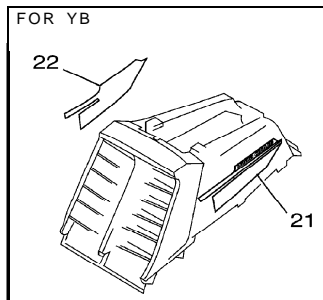
Ref. No.	Part No.	Description
26	90170-1 0186-00	NUT,HEXAGON (L/H THR
27	90171-1 0046-00	NUT,CASTLE
28	90171-1 0046-00	NUT,CASTLE
29	91401-20020-00	91490-20020-00
30	91401-20020-00	91490-20020-00



Catalog Title:
2002 YFZ350P

Block No.
E-4

Block Title:
EMBLEM.LABEL 1

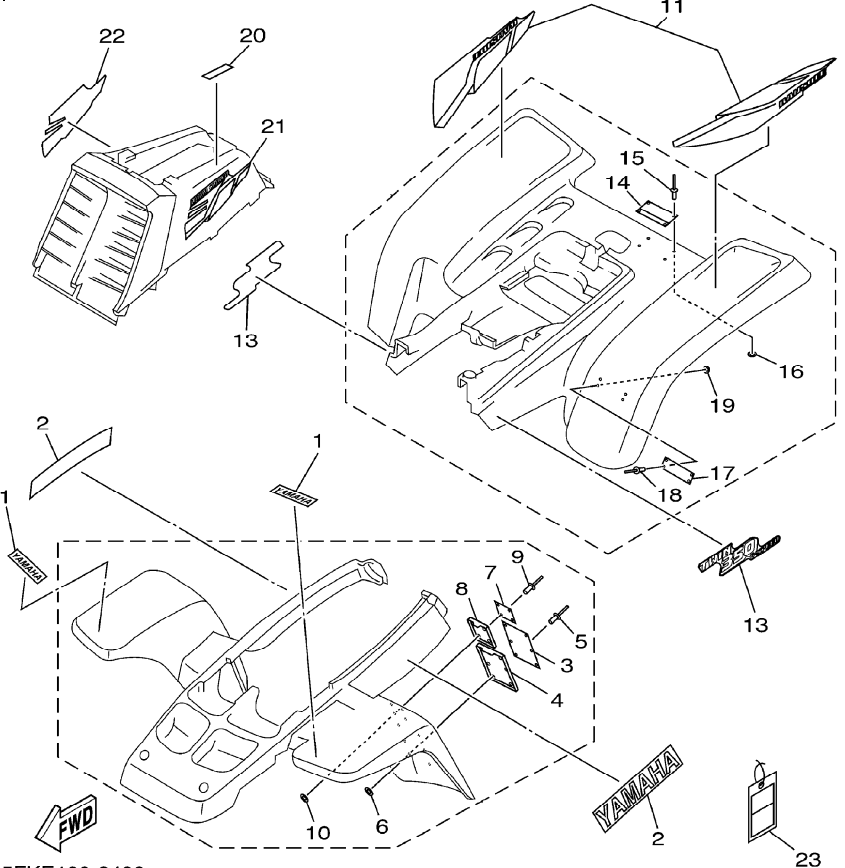
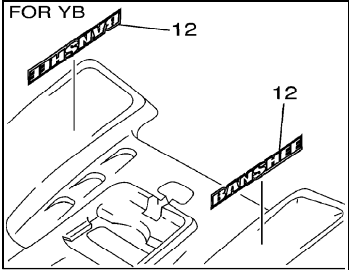
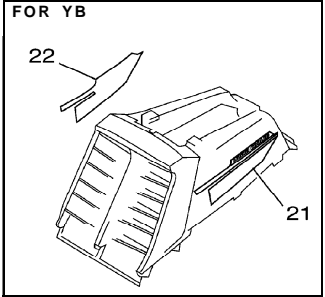


Ref. No.	Part No.	Description
	3GD-2153E-00-00	EMBLEM, YAMAHA
	3GD-2153E-10-00	EMBLEM, YAMAHA
2	99241-00280-00	EMBLEM, YAMAHA (DPBS)
2	99246-00280-00	EMBLEM, YAMAHA
3	5FE-21568-01-00	LABEL, WARNING
4	4EM-21581-20-00	STAY, PLT. FITTING 1
4	4EM-21581-40-00	STAY, PLATE FITTIN
5	90267-32198-00	RIVET, BLIND
6	90201-03313-00	WASHER,PLATE
6	5FE-21697-01-00	LABEL, CAUTION 2
8	3JM-21591-10-00	STAY, PLT. FITTING 2
8	3JM-21591-40-00	STAY, PLATE FITTIN
9	90267-32198-00	RIVET, BLIND
10	90201-03313-00	WASHER,PLATE
11	5FK-2165A-30-00	GRAPHIC SET-REAR F
12	5FK-2163G-00-00	EMBLEM 1
13	5FK-21783-20-00	EMBLEM 3
13	5FK-21783-30-00	EMBLEM 3
14	5FE-2151H-01-00	LABEL 5
15	90267-32004-00	RIVET, BLIND
16	90201-03313-00	WASHER,PLATE
17	5FK-21696-01-00	LABEL, CAUTION
18	90267-32004-00	RIVET, BLIND
19	90201-03313-00	WASHER,PLATE
20	3XJ-24 15 E-AO-00	LABEL, CAUTION

Catalog Title:
2002 YFZ350P

Block No.
E-4

Block Title:
EMBLEM.LABEL 1

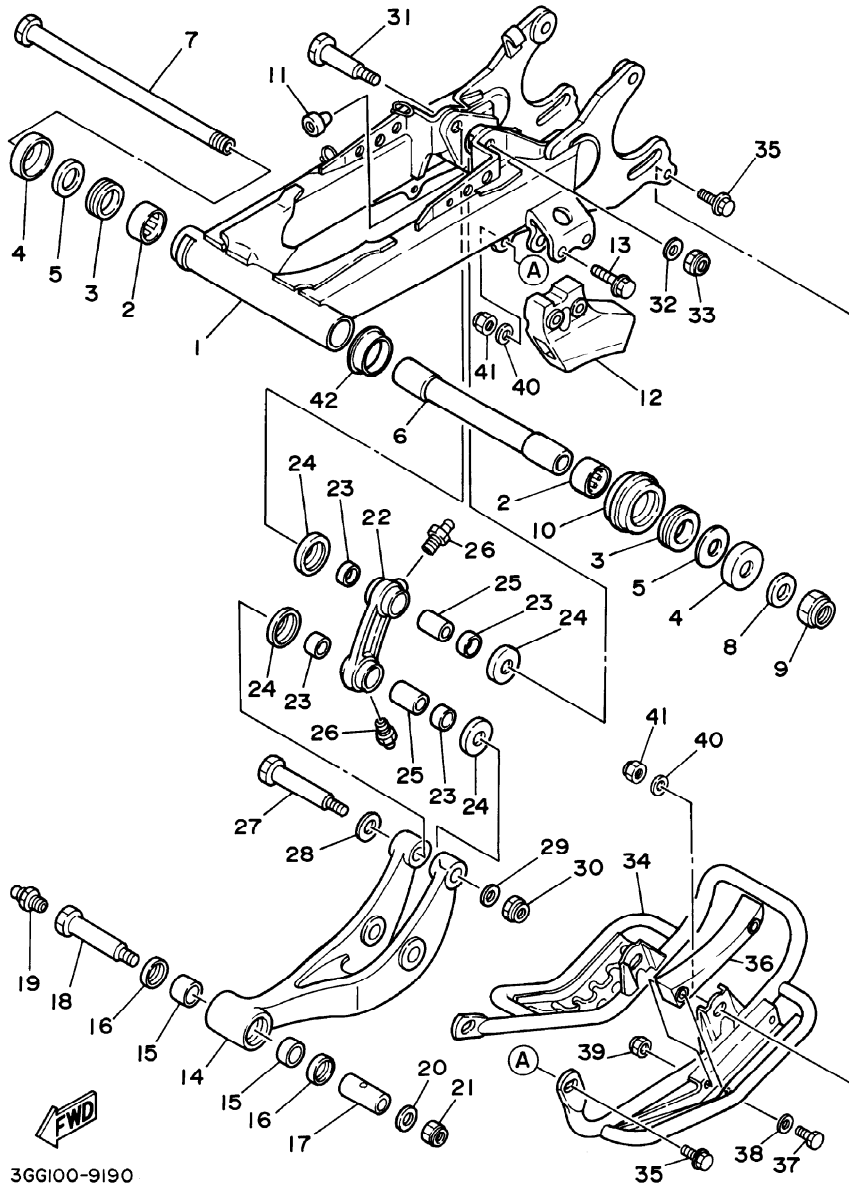


Ref. No.	Part No.	Description
21	5FK-2173E-30-00	GRAPHIC 1
21	5FK-2173E-40-00	GRAPHIC 1
22	5FK-2173F-30-00	GRAPHIC 2
22	5FK-2173F-40-00	GRAPHIC 2
23	5LP-2819R-00-00	TAG. WARNING

Catalog Title:
2002 YFZ350P

Block No.
c-3

Block Title:
REAR ARM

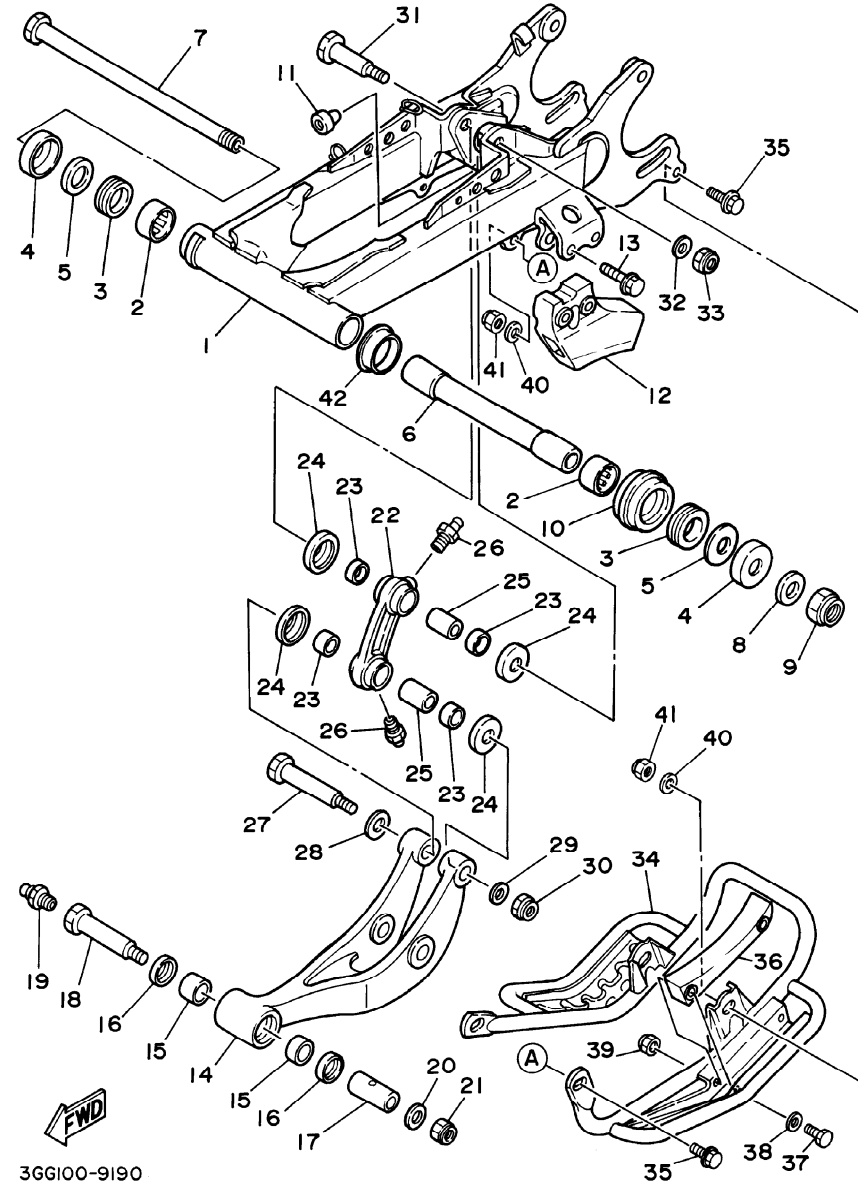


Ref. No.	Part No.	Description
1	3GG-22110-00-35	REAR ARM COMP. (SL)
2	93317-22237-00	93317-32231-00
3	93108-35004-00	OIL SEAL, OSO-TYPE
4	2K6-22128-01-00	COVER, THRUST 1
5	90201-244A9-00	90201-247 L2-00
6	2GU-22184-00-00	BUSH
7	2GU-22141-00-00	SHAFT, PIVOT
8	90201-160F6-00	WASHER, PLATE
9	90185-1 6127-00	95617-1 6100-00
10	2GU-22151-10-00	SEAL, GUARD
11	4N0-27114-00-00	STOPPER, MAIN STAND
12	5X4-221 99-00-00	SUPPORT, CHAIN
13	95807-08040-00	95817-08040-00
14	1UY-2217A-00-00	ARM, RELAY
15	90383-20033-00	BUSH, FORMED
16	93109-20076-00	OIL SEAL
17	90387-1 25N9-00	COLLAR
18	90109-1 0752-00	BOLT
19	93700-06004-00	93700-06M03-00
20	90201-1 0430-00	90201-1 00F7-00
21	90185-1 0120-00	NUT, SELF-LOCKING
22	3GG-2217F-00-00	ROD, CONNECTING 1
23	90383-20032-00	BUSH, FORMED
24	23X-221 29-00-00	55K-22129-00-00
25	90387-1 25N8-00	COLLAR

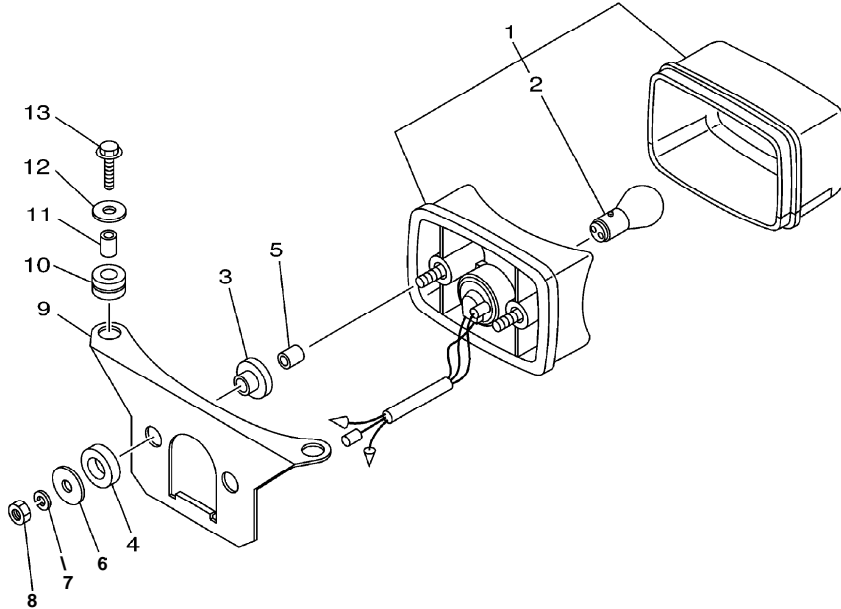
Catalog Title:
2002 YFZ350P

Block No.
c-3

Block Title:
REAR ARM



Ref. No.	Part No.	Description
26	93700-06004-00	93700-06M03-00
27	90109-1 02A6-00	BOLT
28	90201-1 20E6-00	WASHER, PLATE
29	90201-1 00E9-00	90201-1 0M05-00
30	90185-10120-00	NUT, SELF-LOCKING
31	90109-1 0654-00	BOLT
32	90201-1 0430-00	90201-1 00F7-00
33	90185-10120-00	NUT, SELF-LOCKING
34	3GG-2219X-00-00	COVER
35	95827-08020-00	95817-08020-00
36	2GU-22153-00-00	GUARD, CHAIN
37	97027-06045-00	97017-06045-00
38	92907-06600-00	WASHER, PLATE (6TA)
39	95607-06100-00	95617-06100-00
40	92907-08600-00	WASHER (6TA)
41	95607-08100-00	95617-08100-00
42	2GU-22155-00-00	COLLAR



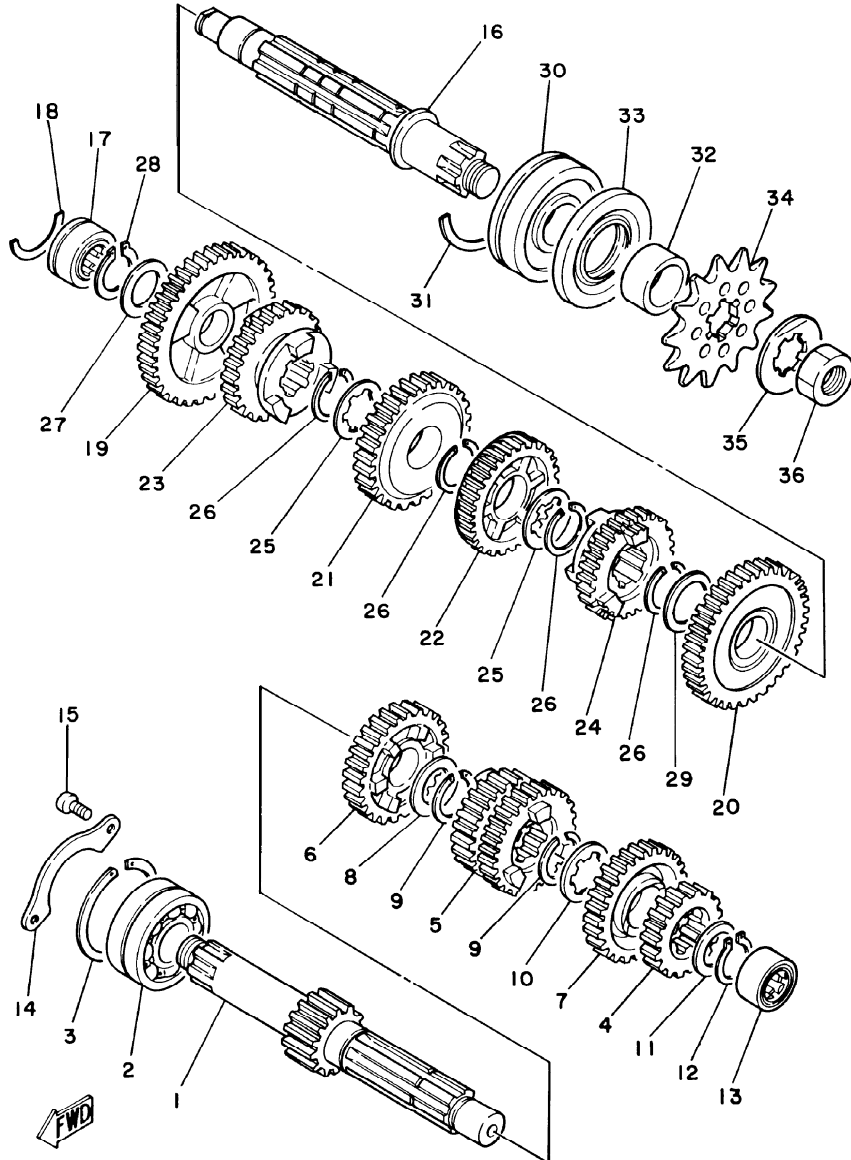
Ref. No.	Part No.	Description
1	3FA-84710-00-00	TAILLIGHT UNIT ASS
2	1A2-84714-41-00	» BULB
3	90480-I 4088-00	GROMMET
4	90202-I 4077-00	WASHER, PLATE
5	90387-06595-00	90560-07007-00
6	90201-06074-00	WASHER, PLATE
	92907-06100-00	WASHER, SPRING
8	95307-06600-00	95317-06600-00
9	3FA-84702-10-00	BRACKET, TAILLIGHT
10	90480-I 4555-00	UNAVAILABLE
11	90387-065L7-00	90387-06026-00
12	90201-06071-00	90201-063J2-00
13	95807-06025-00	95817-06025-00



Catalog Title:
2002 YFZ350P

Block No.
B-6

Block Title:
TRANSMISSION

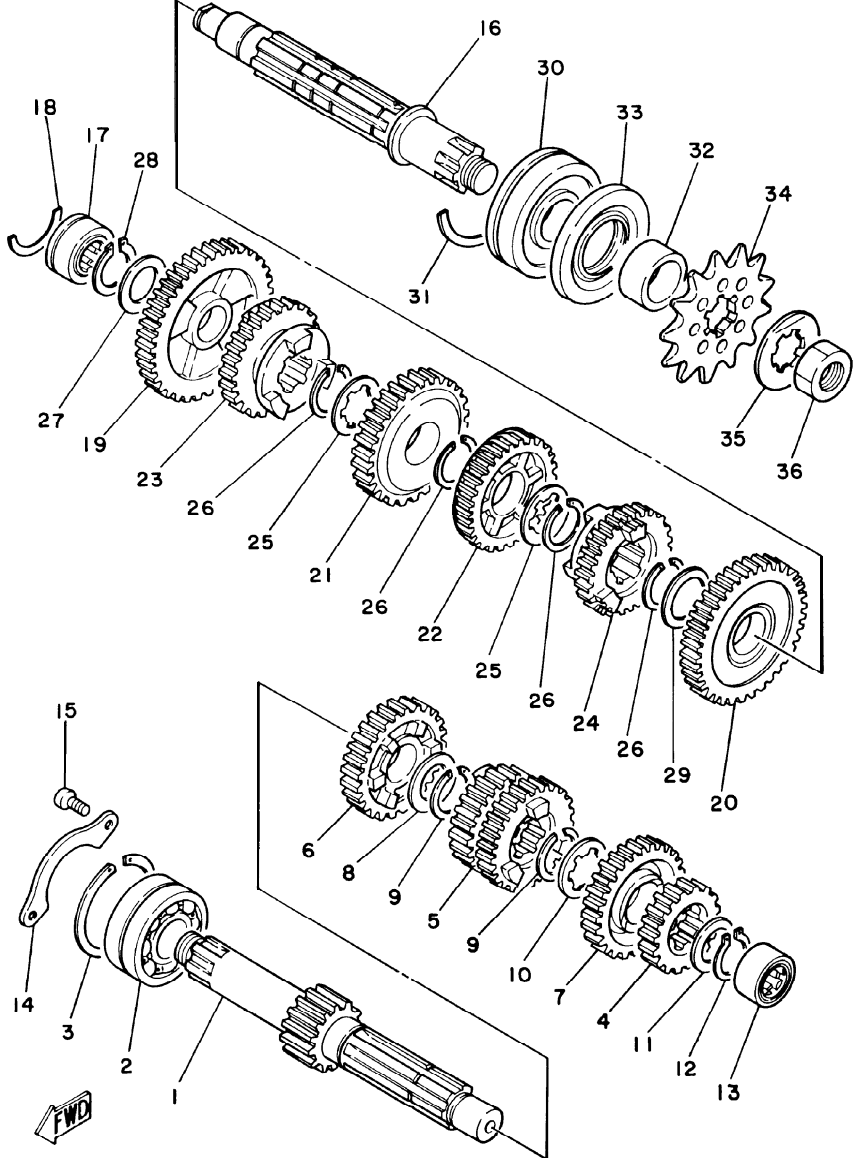


Ref. No.	Part No.	Description
1	2GU-1741 1-00-00	AXLE,MAIN
2	93305-20508-00	93305-20502-00
3	93440-52009-00	CIRCLIP, OUTER
4	2GU-17121-00-00	GEAR,2ND PINION
5	2GU-17131-00-00	GEAR,3RD PINION
6	2GU-17151-00-00	GEAR,5TH PINION
7	2GU-17161-00-00	GEAR,6TH PINION
8	90201-256E6-00	WASHER,PLATE
9	93440-25084-00	CIRCLIP, OUTER
10	90209-2 1105-00	WASHER,SPEC'L SHAPE
11	90201-20266-00	WASHER,PLATE
12	99009-20400-00	CIRCLIP
13	9331 1-22005-00	9331 1-22027-00
14	4L0-17471-00-00	PLATE,COVER
15	98507-06012-00	98517-06012-00
16	29L-17421-00-00	AXLE,DRIVE
17	9331 1-42006-00	9331 1-42032-00
18	278-1 7425-00-00	CIRCLIP 2
19	2GU-1721 1-00-00	GEAR,1ST WHEEL
20	2GU-17221-00-00	GEAR,2ND WHEEL
21	2GU-17231-00-00	GEAR,3RD WHEEL
22	2GU-17241-00-00	GEAR,4TH WHEEL
23	2GU-17251-00-00	GEAR,5TH WHEEL
24	2GU-17261-01-00	GEAR,6TH WHEEL
25	90209-2 1105-00	WASHER,SPEC'L SHAPE

Catalog Title:
2002 YFZ350P

Block No.
B-6

Block Title:
TRANSMISSION



Ref. No.	Part No.	Description
26	93440-25084-00	CIRCLIP, OUTER
27	90201-20276-00	WASHER, PLATE
28	99009-20400-00	CIRCLIP
29	90201-25490-00	WASHER, PLATE
30	93306-30504-00	BEARING
31	278-1 7424-01-00	CIRCLIP 1
32	90387-257N4-00	COLLAR
33	93102-35369-00	OIL SEAL, SD-TYPE
34	93834-1 4050-00	
35	90215-21121-00	90215-21239-00
36	90179-1 8020-00	NUT, SPEC'L SHAPE

Ref. No.	Part No.	Description
1	4L0-12450-01-00	IMPELLER SHAFT ASY
2	93306-30002-00	93306-30003-00
3	93103-I 0147-00	93103-I 0168-00
4	93603-22028-00	PIN,DOWEL
5	4L0-12459-00-00	GEAR,IMPELLER SHAF
6	99080-07600-00	99080-07600-00
7	90201-08784-00	WASHER, PLATE
8	4L0-12436-00-00	GEAR,DRIVE
9	4L0-12422-00-00	COVER,HOUSING
10	3GG-12428-01-00	GASKET, HSNQ CVR 2
11	98507-06016-00	SCREW, PAN HEAD

